

# Diaphragm Seals for food- / biotechnics- / pharmaceutical industry

for flat- / form-sealing

DIN 11851, APV-RJT, ISO 2853 (IDF), SMS, DS 722, DRD,

Clamp ISO 2852, Clamp DIN 32 676, Tri-Clamp

MDM 73..

MDM 73..v



## Standard Version

Information on applications, features, metrological influences as temperature, level difference, floating time and others can be found in model overview 7000. Furthermore you will also find advices on other chemical seal versions.

### Construction

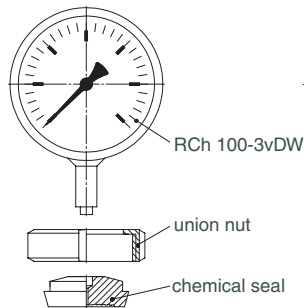
**Model 73..vd8** has an orifice d8 as instrument connection for welding to a pressure gauge with process connection d8x5, e.g. RCh 100-3vDW.

For the welded connection to pressure gauge / chemical seal and the filling port which is not accessible externally could no leakage occur. The parts are easy to clean externally.

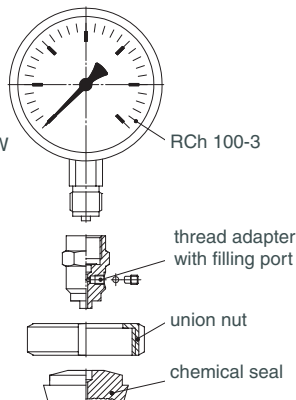
**Model 73..vG½** has a measuring instrument adapter with female thread for direct mounting to the measuring instrument with external thread.

The screwed connections pressure gauge / chemical seal and the filling port may not be loosened, as otherwise the filling fluid leaks and the pressure measuring system loses its functional capability.

Example: 7310vd8



7310vG½



### Chemical Seal and Process Connection

1.4435 (316 L stainless steel)

### Instrument Connection

73..vd8: orifice d8

73..vG½: G ½ female

### Diaphragm

1.4435 (316L stainless steel) flush welded, welded to chemical seal, helium leak detection up to  $10^{-9}$  mbar l/s  
Effective diaphragm diameter dM, see table on page 2 ff.

### Surface Roughness of the Wetted Parts

Ra &lt; 0.8 µm

### Union Nut (if applicable)

Stainless steel

### Nominal Pressure

See tables on page 2 ff.

## Minimum Span Pressure Gauges

See tables on page 2 ff.

## t<sub>k</sub>-value (mbar /10K) (temperature coefficient of the chemical seal)

See tables on page 2 ff. (for vegetable oil FN 1)



## Options

- Wetted parts Ra < 0.4 µm
- Wetted parts electropolished
- Reinforced groove nut
- Calculation of the temperature-related additional error for the whole pressure measuring system

## Special Options among others

- Other instrument connections upon request, but NPT-female thread is not recommendable
- Other material combinations upon request
- Version according to other norms and nominal sizes upon request

## Accessories

Capillary line, cooling elements: see data sheet 7002  
Process connection pieces and sealings do not belong to the standard product range, but are available upon request.

## Construction / Filling / Certificates

Information concerning mounting and filling and certificates are available upon request.

## Ordering Information Chemical Seals

Please regard our detailed ordering information

- in model overview 7000
- in the check lists for pressure measuring instruments with chemical seals and
- in the data sheets of the requested pressure measuring instruments and add the information for the particular chemical seal:
  - Model : e.g. MDM 7310 vd8, MDM 7315 vG½
  - Nominal size: e.g. NW 1", DN 25
  - Nominal pressure: e.g. PN 25, PN 40
  - if applicable options: see page 1, e.g. Ra < 0.4 µm

The reference temperature is +20 °C.

Please specify, if a +20°C deviating working temperature (tA) is required (dial inscription tA...) or the cleaning temperature (tR max) is +150 °C and above (dial inscription tR max)

Example: pressure gauge....,  
chemical seal: MDM 7310vd8, DN 25, PN 40, tA +80°C,  
wetted parts electropolished



Sales and Export South, West, North

## ARMATURENBAU GmbH

Manometerstraße 5 • D-46487 Wesel - Ginderich  
Tel.: +49 (0)28 03/91 30-0 • Fax: +49 (0)28 03/ 10 35  
armaturenbau.com • mail@armaturenbau.com

Subsidiary Company, Sales and Export East

## MANOTHERM Beierfeld GmbH

Am Gewerbepark 9 • D-08344 Grünhain-Beierfeld  
Tel.: +49 (0)37 74/58-0 • Fax: +49 (0)37 74/58-545  
manotherm.com • mail@manotherm.com

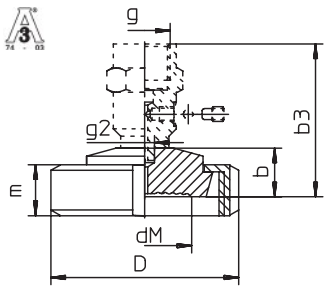
7300

09/12

**Dimensional Data (mm), Weights (kg), Minimum Span (bar) and  $t_k$ -value (mbar /10K)**

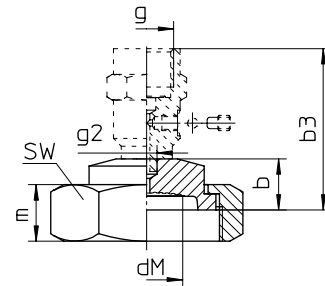
**Conical Coupling resp. Welding Male with Groove- or Hexagon Nut**

**MDM 7310v... DIN 11851 Conical coupling and groove nut**



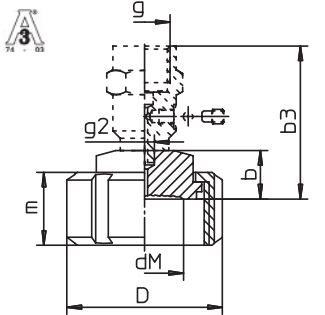
| DN | PN | For tube male-Ø x wall thickness | Tube female-Ø | b  | b3 | D   | dM | d* | g  | g2  | m  | Minimum measuring span | $t_k$ -value          | Weight (approx.)<br>vd8 | vG½  |      |
|----|----|----------------------------------|---------------|----|----|-----|----|----|----|-----|----|------------------------|-----------------------|-------------------------|------|------|
| 20 | 40 | 23 x 1.5                         | 20            | 20 | 63 | 54  | 21 | 23 | G½ | Ø 8 | 20 | 0 - 4 <sup>2)</sup>    | 5.50                  | 0.20                    | 0.33 |      |
| 25 |    | 29 x 1.5                         | 26            |    |    | 63  | 26 | 28 |    |     |    | 21                     | 0 - 2,5 <sup>2)</sup> | 2.80                    | 0.34 | 0.47 |
| 32 |    | 35 x 1.5                         | 32            |    |    | 70  | 32 | 34 |    |     |    |                        | 0 - 1 <sup>2)</sup>   | 1.40                    | 0.43 | 0.56 |
| 40 |    | 41 x 1.5                         | 38            |    |    | 78  | 38 | 40 |    |     |    | 0 - 1 <sup>2)</sup>    | 0.80                  | 0.54                    | 0.67 |      |
| 50 | 25 | 53 x 1.5                         | 50            | 20 | 63 | 92  | 48 | 50 | G½ | Ø 8 | 22 | 0 - 1 <sup>1)</sup>    | 0.40                  | 0.76                    | 0.89 |      |
| 65 |    | 70 x 2                           | 66            |    |    | 112 | 60 | 62 |    |     |    | 25                     | 0 - 0.6 <sup>1)</sup> | 0.82                    | 1.28 | 1.41 |
| 80 |    | 85 x 2                           | 81            |    |    | 127 | 72 | 75 |    |     |    |                        | 30                    | 0 - 0.6 <sup>1)</sup>   | 0.64 | 1.52 |

**MDM 7330v... APV-RJT Welding male and hexagon nut**



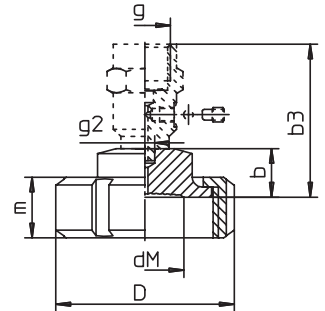
| NPS | PN | For tube male-Ø x wall thickness | Tube female-Ø | b  | b3 | SW  | dM | d* | g  | g2  | m  | Minimum measuring span | $t_k$ -value | Weight (approx.)<br>vd8 | vG½  |
|-----|----|----------------------------------|---------------|----|----|-----|----|----|----|-----|----|------------------------|--------------|-------------------------|------|
| 1"  | 40 | 25.4 x 1.6                       | 22.2          | 20 | 63 | 51  | 19 | 21 | G½ | Ø 8 | 22 | 0 - 2.5 <sup>3)</sup>  | 6.50         | 0.19                    | 0.32 |
| 1½" |    | 38.1 x 1.6                       | 34.9          |    |    | 65  | 32 | 34 |    |     |    | 0 - 1 <sup>2)</sup>    | 1.40         | 0.35                    | 0.48 |
| 2"  |    | 50.8 x 1.6                       | 47.6          |    |    | 79  | 38 | 40 |    |     |    | 0 - 1 <sup>2)</sup>    | 0.80         | 0.55                    | 0.68 |
| 2½" | 25 | 63.5 x 1.6                       | 60.3          | 20 | 63 | 92  | 54 | 56 | G½ | Ø 8 | 22 | 0 - 1 <sup>1)</sup>    | 0.93         | 0.68                    | 0.81 |
| 3"  |    | 76.2 x 1.6                       | 73            |    |    | 105 | 66 | 68 |    |     |    | 0 - 0.6 <sup>1)</sup>  | 0.73         | 0.83                    | 0.96 |

**MDM 7350v... ISO 2853 (IDF) Welding male and groove nut**



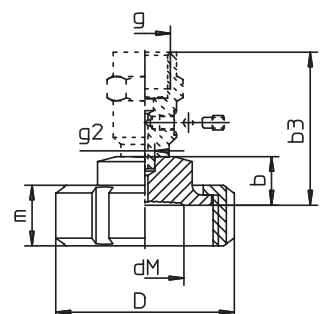
| NPS | PN | For tube male-Ø x wall thickness | Tube female-Ø | b  | b3 | D   | dM | d* | g  | g2  | m  | Minimum measuring span | $t_k$ -value | Weight (approx.)<br>vd8 | vG½  |
|-----|----|----------------------------------|---------------|----|----|-----|----|----|----|-----|----|------------------------|--------------|-------------------------|------|
| 1"  | 40 | 25.6 x 1.5                       | 22.6          | 20 | 63 | 52  | 19 | 21 | G½ | Ø 8 | 30 | 0 - 2.5 <sup>3)</sup>  | 6.50         | 0.36                    | 0.49 |
| 1½" |    | 38.6 x 1.5                       | 35.6          |    |    | 64  | 32 | 34 |    |     |    | 0 - 1 <sup>2)</sup>    | 1.40         | 0.5                     | 0.63 |
| 2"  |    | 51.6 x 1.5                       | 48.6          |    |    | 79  | 46 | 48 |    |     |    | 0 - 1 <sup>1)</sup>    | 0.45         | 0.87                    | 1    |
| 2½" | 25 | 64.1 x 1.9                       | 60.3          | 20 | 63 | 92  | 56 | 58 | G½ | Ø 8 | 30 | 0 - 1 <sup>1)</sup>    | 0.90         | 1.46                    | 1.59 |
| 3"  |    | 76.7 x 1.9                       | 72.9          |    |    | 109 | 66 | 68 |    |     |    | 0 - 0.6 <sup>1)</sup>  | 0.73         | 1.57                    | 1.7  |

**MDM 7370v... SMS Welding male and groove nut**



| NPS | PN | For tube male-Ø x wall thickness | Tube female-Ø | b  | b3 | D   | dM | d* | g  | g2  | m  | Minimum measuring span | $t_k$ -value | Weight (approx.)<br>vd8 | vG½  |
|-----|----|----------------------------------|---------------|----|----|-----|----|----|----|-----|----|------------------------|--------------|-------------------------|------|
| 1"  | 40 | 25 x 1.2                         | 22.6          | 20 | 63 | 51  | 19 | 21 | G½ | Ø 8 | 30 | 0 - 2,5 <sup>3)</sup>  | 6.50         | 0.21                    | 0.34 |
| 1½" |    | 38 x 1.2                         | 35.6          |    |    | 74  | 32 | 34 |    |     |    | 0 - 1 <sup>2)</sup>    | 1.40         | 0.48                    | 0.61 |
| 2"  |    | 51 x 1.2                         | 48.6          |    |    | 84  | 46 | 48 |    |     |    | 0 - 1 <sup>1)</sup>    | 0.45         | 0.78                    | 0.91 |
| 2½" | 25 | 63.5 x 1.6                       | 60.3          | 20 | 63 | 100 | 56 | 58 | G½ | Ø 8 | 30 | 0 - 1 <sup>1)</sup>    | 0.90         | 1.1                     | 1.23 |
| 3"  |    | 76.1 x 1.6                       | 72.9          |    |    | 114 | 66 | 68 |    |     |    | 0 - 0.6 <sup>1)</sup>  | 0.73         | 1.59                    | 1.63 |

**MDM 7380v... DS 722 Welding male and groove nut**



| DN | PN | For tube male-Ø x wall thickness | Tube female-Ø | b  | b3 | D   | dM | d* | g  | g2  | m  | Minimum measuring span | $t_k$ -value | Weight (approx.)<br>vd8 | vG½  |
|----|----|----------------------------------|---------------|----|----|-----|----|----|----|-----|----|------------------------|--------------|-------------------------|------|
| 25 | 40 | 29 x 2                           | 25            | 20 | 63 | 57  | 21 | 23 | G½ | Ø 8 | 20 | 0 - 4 <sup>2)</sup>    | 5.50         | 0.3                     | 0.43 |
| 32 |    | 36 x 2                           | 32            |    |    | 65  | 28 | 30 |    |     |    | 0 - 2.5 <sup>2)</sup>  | 2.30         | 0.41                    | 0.54 |
| 40 |    | 42 x 2                           | 38            |    |    | 71  | 34 | 36 |    |     |    | 0 - 1 <sup>2)</sup>    | 1.20         | 0.48                    | 0.61 |
| 50 |    | 55 x 2                           | 51            |    |    | 86  | 46 | 48 |    |     |    | 0 - 1 <sup>1)</sup>    | 0.45         | 0.77                    | 0.9  |
| 63 | 25 | 67.5 x 2                         | 63.5          | 20 | 63 | 103 | 60 | 62 | G½ | Ø 8 | 24 | 0 - 0.6 <sup>1)</sup>  | 0.84         | 1.13                    | 1.26 |
| 75 |    | 80 x 2                           | 76            |    |    | 115 | 72 | 75 |    |     |    | 0 - 0.6 <sup>1)</sup>  | 0.64         | 1.45                    | 1.58 |

<sup>1)</sup> for bourdon tube pressure gauges NCS 100

<sup>2)</sup> for bourdon tube pressure gauges RCh / RChG 100-3 without limit switch contact assembly

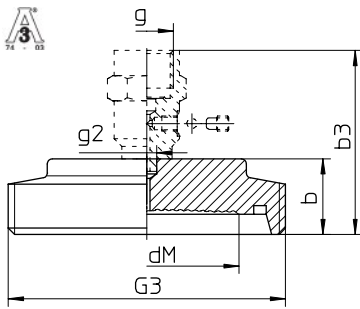
<sup>3)</sup> for bourdon tube pressure gauges RCh / RChG 63-3 without limit switch contact assembly

\* = external diameter diaphragm

Dimensional Data (mm), Weights (kg), Minimum Span (bar) and  $t_k$ -value (mbar/10K)

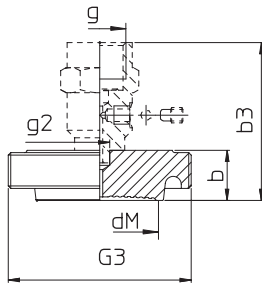
Thread Connection Pieces

MDM 7315v... DIN 11851



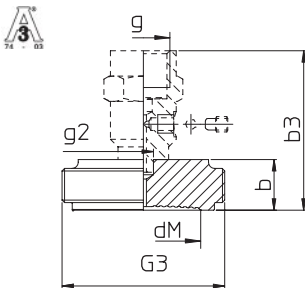
| DN | PN | For tube male-Ø x wall thickness | Tube female-Ø | b  | b3 | dM | d* | g               | g2  | G3           | Minimum measuring span | $t_k$ -value | Weight (approx.)<br>vd8 | vG $\frac{1}{2}$ |
|----|----|----------------------------------|---------------|----|----|----|----|-----------------|-----|--------------|------------------------|--------------|-------------------------|------------------|
| 20 | 40 | 23 x 1.5                         | 20            | 20 | 63 | 21 | 23 | G $\frac{1}{2}$ | Ø 8 | Rd 44 x 1/6  | 0 - 4 <sup>2)</sup>    | 5.50         | 0.15                    | 0.28             |
| 25 |    | 29 x 1.5                         | 26            |    |    | 26 | 28 |                 |     | Rd 52 x 1/6  | 0 - 2.5 <sup>2)</sup>  | 2.80         | 0.18                    | 0.31             |
| 32 |    | 35 x 1.5                         | 32            |    |    | 32 | 34 |                 |     | Rd 58 x 1/6  | 0 - 1 <sup>2)</sup>    | 1.40         | 0.22                    | 0.35             |
| 40 |    | 41 x 1.5                         | 38            |    |    | 38 | 40 |                 |     | Rd 65 x 1/6  | 0 - 1 <sup>2)</sup>    | 0.80         | 0.29                    | 0.42             |
| 50 | 25 | 53 x 1.5                         | 50            | 30 | 73 | 48 | 50 | G $\frac{1}{2}$ | Ø 8 | Rd 78 x 1/6  | 0 - 1 <sup>1)</sup>    | 0.40         | 0.42                    | 0.55             |
| 65 |    | 70 x 2                           | 66            |    |    | 60 | 62 |                 |     | Rd 95 x 1/6  | 0 - 0.6 <sup>1)</sup>  | 0.82         | 0.95                    | 1.08             |
| 80 |    | 85 x 2                           | 81            |    |    | 72 | 75 |                 |     | Rd 110 x 1/4 | 0 - 0.6 <sup>1)</sup>  | 0.64         | 1.40                    | 1.53             |

MDM 7335v... APV-RJT



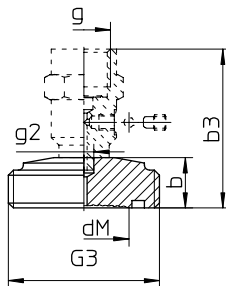
| NPS    | PN | For tube male-Ø x wall thickness | Tube female-Ø | b  | b3 | dM | d* | g               | g2  | G3                                    | Minimum measuring span | $t_k$ -value | Weight (approx.)<br>vd8 | vG $\frac{1}{2}$ |
|--------|----|----------------------------------|---------------|----|----|----|----|-----------------|-----|---------------------------------------|------------------------|--------------|-------------------------|------------------|
| 1"     | 40 | 25.4 x 1.6                       | 22.2          | 20 | 63 | 19 | 21 | G $\frac{1}{2}$ | Ø 8 | 1 <sup>3</sup> / <sub>16</sub> x 1/8" | 0 - 2.5 <sup>3)</sup>  | 6.50         | 0.19                    | 0.32             |
| 1 1/2" |    | 38.1 x 1.6                       | 34.9          |    |    | 32 | 34 |                 |     | 2 <sup>5</sup> / <sub>16</sub> x 1/8" | 0 - 1 <sup>2)</sup>    | 1.40         | 0.35                    | 0.48             |
| 2"     |    | 50.8 x 1.6                       | 47.6          |    |    | 38 | 40 |                 |     | 2 <sup>7</sup> / <sub>8</sub> x 1/16" | 0 - 1 <sup>2)</sup>    | 0.80         | 0.55                    | 0.68             |
| 2 1/2" | 25 | 63.5 x 1.6                       | 60.3          | 30 | 73 | 54 | 56 | G $\frac{1}{2}$ | Ø 8 | 3 <sup>3</sup> / <sub>8</sub> x 1/16" | 0 - 1 <sup>1)</sup>    | 0.93         | 0.68                    | 0.81             |
| 3"     |    | 76.2 x 1.6                       | 73            |    |    | 66 | 68 |                 |     | 3 <sup>7</sup> / <sub>8</sub> x 1/16" | 0 - 0.6 <sup>1)</sup>  | 0.73         | 0.83                    | 0.96             |

MDM 7355v... ISO 2853 (IDF)



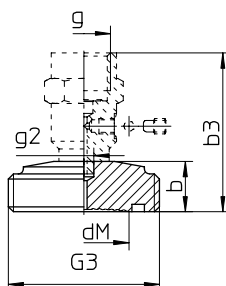
| NPS    | DN   | PN | For tube male-Ø x wall thickness | Tube female-Ø | b  | b3 | dM | d* | g               | g2  | G3         | Minimum measuring span | $t_k$ -value | Weight (approx.)<br>vd8 | vG $\frac{1}{2}$ |
|--------|------|----|----------------------------------|---------------|----|----|----|----|-----------------|-----|------------|------------------------|--------------|-------------------------|------------------|
| 1"     | 25   | 40 | 25.6 x 1.5                       | 22.6          | 20 | 63 | 19 | 21 | G $\frac{1}{2}$ | Ø 8 | 1" IDF     | 0 - 2.5 <sup>3)</sup>  | 6.50         | 0.26                    | 0.39             |
| 1 1/2" | 38   |    | 38.6 x 1.5                       | 35.6          |    |    | 32 | 34 |                 |     | 1 1/2" IDF | 0 - 1 <sup>2)</sup>    | 1.40         | 0.43                    | 0.56             |
| 2"     | 51   |    | 51.6 x 1.5                       | 48.6          |    |    | 46 | 48 |                 |     | 2" IDF     | 0 - 1 <sup>1)</sup>    | 0.45         | 0.60                    | 0.73             |
| 2 1/2" | 63.5 | 25 | 64.1 x 1.9                       | 60.3          | 30 | 73 | 56 | 58 | G $\frac{1}{2}$ | Ø 8 | 2 1/2" IDF | 0 - 1 <sup>1)</sup>    | 0.90         | 0.87                    | 1.00             |
| 3"     | 76.1 |    | 76.7 x 1.9                       | 72.9          |    |    | 66 | 68 |                 |     | 3" IDF     | 0 - 0.6 <sup>1)</sup>  | 0.73         | 1.49                    | 1.62             |

MDM 7375v... SMS



| NPS    | PN | For tube male-Ø x wall thickness | Tube female-Ø | b  | b3 | dM | d* | g               | g2  | G3      | Minimum measuring span | $t_k$ -value | Weight (approx.)<br>vd8 | vG $\frac{1}{2}$ |
|--------|----|----------------------------------|---------------|----|----|----|----|-----------------|-----|---------|------------------------|--------------|-------------------------|------------------|
| 1"     | 40 | 25 x 1.2                         | 22.6          | 20 | 63 | 19 | 21 | G $\frac{1}{2}$ | Ø 8 | Rd 40-6 | 0 - 2.5 <sup>3)</sup>  | 6.50         | 0.17                    | 0.30             |
| 1 1/2" |    | 38 x 1.2                         | 35.6          |    |    | 32 | 34 |                 |     | Rd 60-6 | 0 - 1 <sup>2)</sup>    | 1.40         | 0.38                    | 0.51             |
| 2"     |    | 51 x 1.2                         | 48.6          |    |    | 46 | 48 |                 |     | Rd 70-6 | 0 - 1 <sup>2)</sup>    | 0.45         | 0.52                    | 0.65             |
| 2 1/2" | 25 | 63.5 x 1.6                       | 60.3          | 30 | 73 | 56 | 58 | G $\frac{1}{2}$ | Ø 8 | Rd 85-6 | 0 - 1 <sup>1)</sup>    | 0.90         | 0.76                    | 0.89             |
| 3"     |    | 76.1 x 1.6                       | 72.9          |    |    | 66 | 68 |                 |     | Rd 98-6 | 0 - 0.6 <sup>1)</sup>  | 0.73         | 1.02                    | 1.15             |

MDM 7385v... DS 722



| DN | PN | For tube male-Ø x wall thickness | Tube female-Ø | b  | b3 | dM | d* | g               | g2  | G3      | Minimum measuring span | $t_k$ -value | Weight (approx.)<br>vd8 | vG $\frac{1}{2}$ |
|----|----|----------------------------------|---------------|----|----|----|----|-----------------|-----|---------|------------------------|--------------|-------------------------|------------------|
| 25 | 40 | 29 x 2                           | 25            | 20 | 63 | 21 | 23 | G $\frac{1}{2}$ | Ø 8 | RdG 44  | 0 - 4 <sup>2)</sup>    | 5.50         | 0.19                    | 0.32             |
| 32 |    | 36 x 2                           | 32            |    |    | 28 | 30 |                 |     | RdG 52  | 0 - 2.5 <sup>2)</sup>  | 2.30         | 0.26                    | 0.39             |
| 40 |    | 42 x 2                           | 38            |    |    | 34 | 36 |                 |     | RdG 58  | 0 - 1 <sup>2)</sup>    | 1.20         | 0.32                    | 0.45             |
| 50 | 25 | 55 x 2                           | 51            | 30 | 73 | 46 | 48 | G $\frac{1}{2}$ | Ø 8 | RdG 72  | 0 - 1 <sup>1)</sup>    | 0.45         | 0.50                    | 0.63             |
| 63 |    | 67.5 x 2                         | 63.5          |    |    | 60 | 62 |                 |     | RdG 88  | 0 - 0.6 <sup>1)</sup>  | 0.84         | 0.74                    | 0.86             |
| 75 |    | 80 x 2                           | 76            |    |    | 72 | 75 |                 |     | RdG 100 | 0 - 0.6 <sup>1)</sup>  | 0.64         | 0.95                    | 1.08             |

<sup>1)</sup> for bourdon tube pressure gauges NCS 100

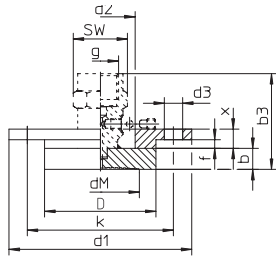
<sup>2)</sup> for bourdon tube pressure gauges RCh / RChG 100-3 without limit switch contact assembly

\* = external diameter diaphragm <sup>3)</sup> for bourdon tube pressure gauges RCh / RChG 63-3 without limit switch contact assembly

**Dimensional Data (mm), Weights (kg), Minimum Span (bar) and  $t_k$ -value (mbar /10K)**

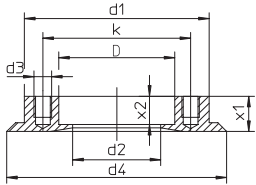
**Chemical Seal with Attachment Flange**

**MDM 7392v... DRD**



| DN | PN | b  | b3 | D  | d1  | d2 | d3      | dM | d* | f | g   | g2    | k  | SW | x  |
|----|----|----|----|----|-----|----|---------|----|----|---|-----|-------|----|----|----|
| 50 | 40 | 12 | 61 | 65 | 105 | 40 | 4xØ10.5 | 46 | 48 | 5 | G ½ | Ø 8x6 | 84 | 27 | 11 |

| Minimum measuring span | $t_k$ -value | Weight (approx.) |      |
|------------------------|--------------|------------------|------|
|                        |              | vd8              | vG½  |
| 0 - 1 <sup>1)</sup>    | 0.45         | 0.32             | 0.45 |



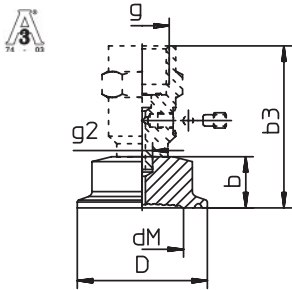
**Counter Flange for Welding**

| D  | d1  | d2 | d3     | d4  | k  | x1 | x2 | Weight (approx.) |
|----|-----|----|--------|-----|----|----|----|------------------|
| 66 | 105 | 50 | 4x M10 | 125 | 84 | 20 | 16 | 0.95             |

**Chemical Seal with Clamp Connection**

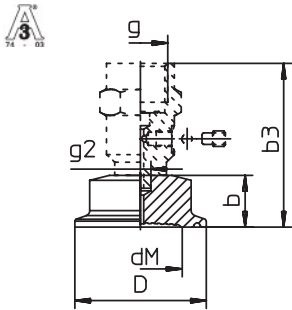
**MDM 7340v... ISO 2852**

for tubes according to ISO 2037 and BS 4825



| DN mm | PN    | For tube male-Ø x wall thickness | Tube female-Ø | b  | b3 | D    | dM | d* | g   | g2  | Minimum measuring span | $t_k$ -value          | Weight (approx.) |      |
|-------|-------|----------------------------------|---------------|----|----|------|----|----|-----|-----|------------------------|-----------------------|------------------|------|
|       |       |                                  |               |    |    |      |    |    |     |     |                        |                       | vd8              | vG½  |
| 25    | 16/40 | 25 x 1.2                         | 22.6          | 20 | 63 | 50.5 | 21 | 23 | G ½ | Ø 8 | 0 - 4 <sup>2)</sup>    | 5.50                  | 0.19             | 0.32 |
| 38    |       | 38 x 1.2                         | 35.6          |    |    |      | 32 | 34 |     |     | 0 - 1 <sup>2)</sup>    | 1.40                  |                  |      |
| 51    |       | 51 x 1.2                         | 48.6          |    |    |      | 64 | 46 |     |     | 48                     | 0 - 1 <sup>1)</sup>   | 0.45             | 0.31 |
| 63.5  | 10/25 | 63.5 x 1.6                       | 60.3          |    |    | 77.5 | 56 | 58 |     |     | 0 - 1 <sup>1)</sup>    | 0.90                  | 0.40             | 0.53 |
| 76.1  |       | 76.1 x 1.6                       | 72.9          |    |    |      | 91 | 66 |     |     | 68                     | 0 - 0.6 <sup>1)</sup> | 0.73             | 0.63 |

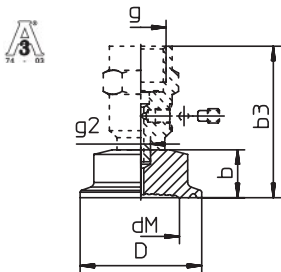
**MDM 7340.1v...DIN 32 676, Series A for tubes according to DIN 11 850**



| DN | PN    | For tube male-Ø x wall thickness | Tube female-Ø | b  | b3 | D    | dM | d* | g   | g2  | Minimum measuring span | $t_k$ -value | Weight (approx.) |      |
|----|-------|----------------------------------|---------------|----|----|------|----|----|-----|-----|------------------------|--------------|------------------|------|
|    |       |                                  |               |    |    |      |    |    |     |     |                        |              | vd8              | vG½  |
| 15 | 16/40 | 19 x 1.5                         | 16            | 20 | 63 | 34   | 16 | 18 | G ½ | Ø 8 | 0 - 4 <sup>3)</sup>    | 9.00         | 0.07             | 0.20 |
| 20 |       | 23 x 1.5                         | 20            |    |    |      | 17 | 19 |     |     | 0 - 4 <sup>3)</sup>    | 7.50         |                  |      |
| 25 |       | 29 x 1.5                         | 26            |    |    | 50.5 | 24 | 26 |     |     | 0 - 2.5 <sup>2)</sup>  | 3.60         | 0.19             | 0.32 |
| 32 |       | 35 x 1.5                         | 32            |    |    |      | 28 | 30 |     |     | 0 - 2.5 <sup>2)</sup>  | 2.30         |                  |      |
| 40 |       | 41 x 1.5                         | 38            |    |    |      | 32 | 34 |     |     | 0 - 1 <sup>2)</sup>    | 1.40         |                  |      |
| 50 | 10/25 | 53 x 1.5                         | 50            |    |    | 64   | 46 | 48 |     |     | 0 - 1 <sup>1)</sup>    | 0.45         | 0.37             | 0.50 |
| 65 |       | 70 x 2                           | 66            |    |    | 91   | 60 | 62 |     |     | 0 - 0.6 <sup>1)</sup>  | 0.84         | 0.63             | 0.76 |
| 80 |       | 85 x 2                           | 81            |    |    | 106  | 72 | 75 |     |     | 0 - 0.6 <sup>1)</sup>  | 0.64         | 0.92             | 1.05 |

**MDM 7340.6v... Tri-Clamp**

for tubes according to BS 4825 and O.D.-Tube; ASME BPE and ISO 1127



| NPS | DN <sup>4)</sup> | PN    | For tube male-Ø x wall thickness |            | For tube female-Ø                |          | b  | b3 | D    | dM | d* | g   | g2  | Minimum measuring span | $t_k$ -value | Weight (approx.) |                       |      |                     |      |
|-----|------------------|-------|----------------------------------|------------|----------------------------------|----------|----|----|------|----|----|-----|-----|------------------------|--------------|------------------|-----------------------|------|---------------------|------|
|     |                  |       | BS 4825 and O.D.-tube / ASME BPE | ISO 1127   | BS 4825 and O.D.-tube / ASME BPE | ISO 1127 |    |    |      |    |    |     |     |                        |              | vd8              | vG½                   |      |                     |      |
| ¾"  | 20               | 16/40 | 19.05 x 1.2                      | 26.9 x 1.6 | 16.65                            | 23.7     | 20 | 63 | 25.4 | 16 | 18 | G ½ | Ø 8 | 0 - 4 <sup>3)</sup>    | 9.00         | 0.05             | 0.18                  |      |                     |      |
| 1"  | 25               |       | 25.4 x 1.6                       | 33.7 x 2   | 22.2                             | 29.7     |    |    |      |    |    |     |     | 50.5                   | 21           |                  |                       | 23   | 0 - 4 <sup>2)</sup> | 5.50 |
| 1½" | 38               |       | 38.1 x 1.6                       | 42.4 x 2   | 34.8                             | 38.4     |    |    |      |    |    |     |     |                        | 30           | 32               | 0 - 2.5 <sup>2)</sup> | 1.80 |                     |      |
| 2"  | 51               | 10/25 | 50.8 x 1.6                       | 48.3 x 2   | 47.5                             | 44.3     |    |    | 64   | 38 | 40 |     |     | 0 - 1 <sup>2)</sup>    | 0.80         | 0.32             | 0.45                  |      |                     |      |
| 2½" | 63.5             |       | 63.5 x 1.6                       | 60.3 x 2   | 60.3                             | 56.3     |    |    |      |    |    |     |     | 77.5                   | 52           | 54               | 0 - 1 <sup>1)</sup>   | 0.95 | 0.45                | 0.58 |
| 3"  | 76.1             |       | 76.2 x 1.6                       | 76.1 x 2   | 73.0                             | 72.1     |    |    |      |    |    |     |     | 91                     | 66           | 68               | 0 - 0.6 <sup>1)</sup> | 0.73 | 0.63                | 0.76 |

<sup>1)</sup> for bourdon tube pressure gauges NCS 100

<sup>3)</sup> for bourdon tube pressure gauges RCh / RChG 63-3 without limit switch contact assembly

<sup>2)</sup> for bourdon tube pressure gauges RCh / RChG 100-3 without limit switch contact assembly

<sup>4)</sup> for BS 4825 and ISO 1127

\* = external diameter diaphragm

Changes, replacement of materials and printing errors excepted