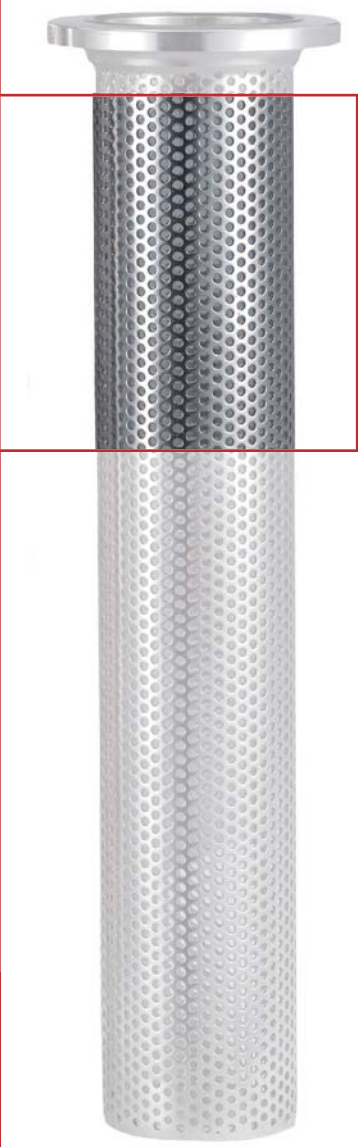


ΦΙΛΤΡΑ ΥΓΕΙΝΟΥ ΤΥΠΟΥ



I Applications

These filters have a wide range of applications in the food-processing, cosmetics, pharmaceutical and some chemical industries. They have a hygienic design and are used to filter particles capable of damaging pumps and other equipment

I Operating principle

The filter basically consists of a filter body with an inlet and an outlet for the product. The screen is fixed inside the body. The screen retains all particles that are equal or larger than the size of the screen openings.

I Design and features

There are several configurations:

- Cleaning the screen **without disassembling the filter:**
Angular filter: the inlet and the outlet form a right angle.
Y filter: the product enters and leaves the filter in the same direction.
- Cleaning the screen **disassembling the filter:**
Straight filter: the product enters and leaves the filter in the same direction.

Available in sizes from DN25/1" to DN150/6".
Low pressure drops.
DIN 11851 standard connection .
Screen with circular (from $\varnothing 0,5\text{mm}$ to $\varnothing 3\text{mm}$) or longitudinal openings (10 x 1mm).
Design according to 3A.

I Materials

Filter body	AISI316L
Gaskets	EPDM (according to FDA 117.2600)
Internal finish	$Ra \leq 0,8\mu\text{m}$
External finish	mirror polish

I Options

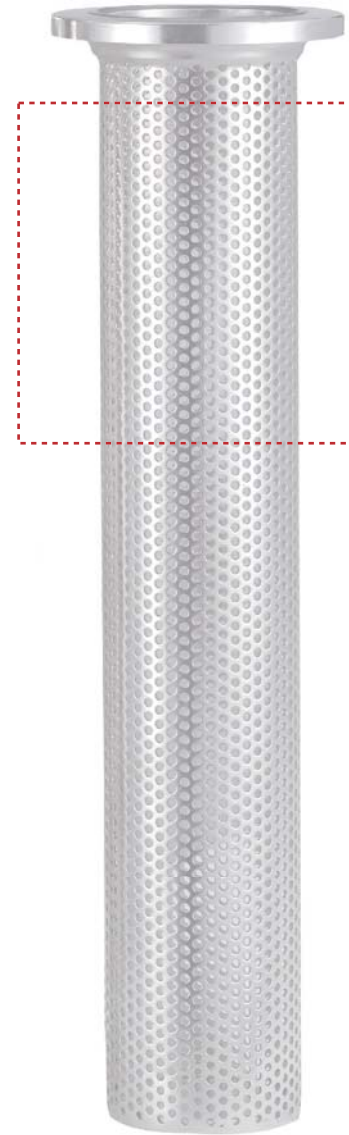
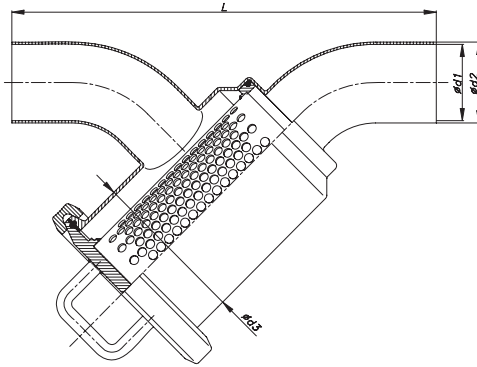
Gaskets in NBR, VMQ (Silicone), FMP (Viton®) according to FDA 177.2600
Connections: Weld, Clamp, SMS, RJT, FIL-IDF...
Mesh (from Mesh 30 to Mesh 165).
Wedge wire screen cylinder.
Heating jacket.
Option of filtering from outside to inside of the screen.
Double filter.



FILTERS

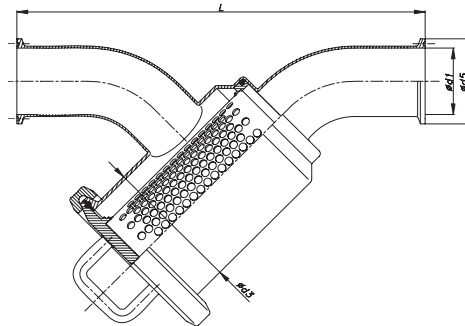
81700 / 82700 / 83700

83700 Y FILTER (dimensions in mm)



WELD/WELD DIN					
DN	L	d1	d2	d3	code*
25	235	26	29	76,2	283700025005E
32	240	32	35		283700032005E
40	260	38	41	101,6	283700040005E
50	280	50	53		283700050005E
65	320	66	70	114,3	283700065005E
80	375	81	85		283700080005E
100	400	100	104	154	283700100005E
125	665	125	129	219,08	283700125005E
150	719	150	154		283700150005E

* codes for the screens with openings of 0,5mm with an EPDM gasket



CLAMP/CLAMP					
DN	L	d1	d5	d3	code*
1"	238	22,1	51	76,2	283717100005E
1½"	268	34,8	51	102	283717112005E
2"	325	47,5	64		283717200005E
2½"	373	60,2	78	114	283717212005E
3"	403	72,9	91		283717300005E
4"	500	97,4	119	154	283717400005E
6"	710	147	167	219	283717600005E

* codes for the screens with openings of 0,5mm with an EPDM gasket



FT.Filtros.2.EN-0506



The information contained in this brochure is for guidance only. We reserve the right to modify any material or feature without notice in advance. For further information, please, consult our web site. www.inoxpa.com

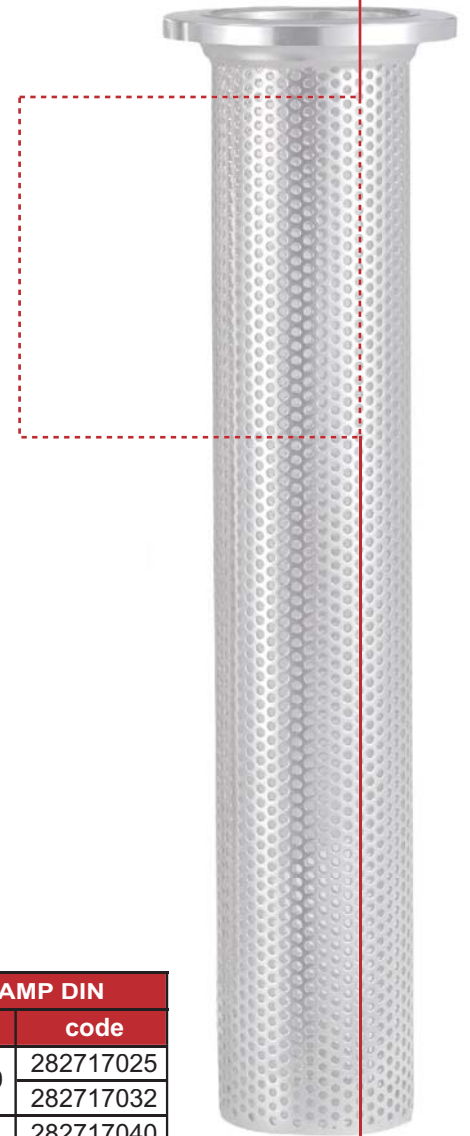
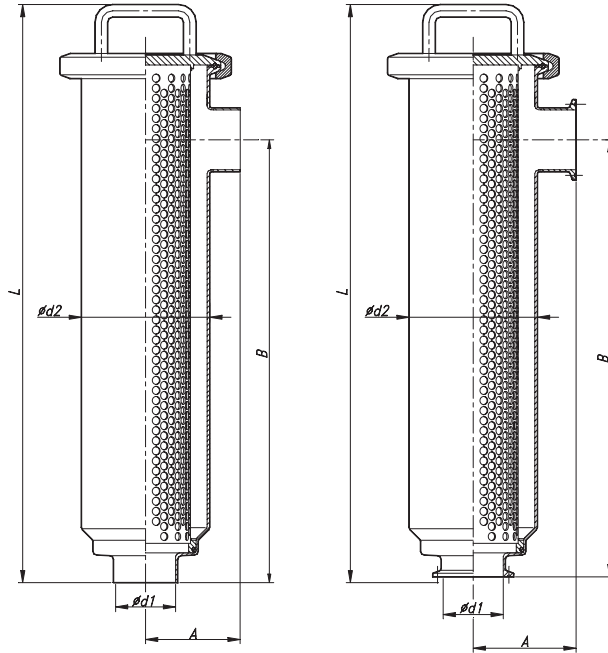
FILTERS

81700 / 82700 / 83700

I Technical specifications

Max. pressure 10bar
 Working temperature -10°C to +120°C (EPDM)

82700 ANGULAR FILTER (dimensions in mm)



		WELD/WELD DIN					CLAMP/CLAMP DIN				
DN	d1	d2	A	B	L	code	A	B	L	code	
25	26	76,2	70	300	400	282700025	63	280	380	282717025	
32	32		78			282700032				282717032	
40	38	101,6	100	370	485	282700040	82	350	466	282717040	
50	50		110			282700050				282717050	
65	66	114,3	120	525	665	282700065	89	505	645	282717065	
80	81		145			282700080				282717080	
100	100	154	155	675	825	282700100	109	638	788	282717100	
125	125	219,1	175	912	1108	282700125	175	900	1080	282717125	
150	150					282700150				282717150	

CLAMP/CLAMP						
DN	d1	d2	A	B	L	code
1"	22,1	76,2	70	271	371	282717100
1 1/2"	34,8	101,6	82	341	456	282717112
2"	47,5					282717200
2 1/2"	60,2	114,3	89	490	630	282717212
3"	72,9					282717300
4"	97,4	154	109	625	775	282717400
6"	146,8	219,1	175	900	1077	282717600



FT.Filtros.1.EN-0506

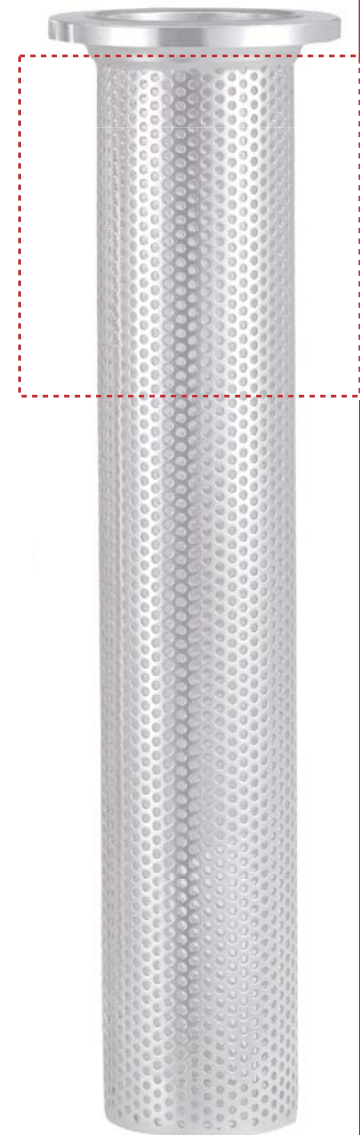
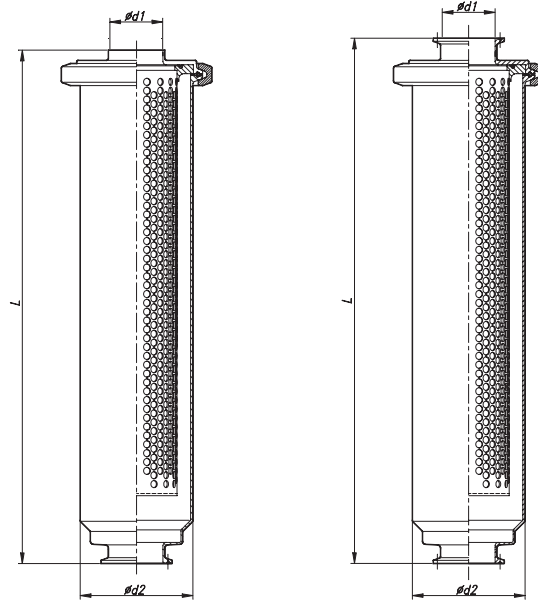


The information contained in this brochure is for guidance only. We reserve the right to modify any material or feature without notice in advance. For further information, please, consult our web site. www.inoxpa.com

FILTERS

81700 / 82700 / 83700

81700 STRAIGHT FILTER (dimensions in mm)



DN	d1	d2	WELD/CLAMP DIN	
			L	AISI-316L
25	26	76,2	386	281771025
32	32			281771032
40	38	101,6	472	281771040
50	50			281771050
65	66	114,3	648	281771065
80	81			281771080
100	100	154	798	281771100
125	125	219,1	1032	281771125
150	150			281771150

DN	d1	d2	WELD/CLAMP		CLAMP/CLAMP	
			L	code	L	code
1"	22,1	76,2	377	281771100	390	281717100
1 1/2"	34,8	101,6	462	281771112	475	281717112
2"	47,5			281771200		281717200
2 1/2"	60,2	114,3	637	281771212	645	281717212
3"	72,9			281771300		281717300
4"	97,6	154	784	281771400	802	281717400
5"	123	219,1	1004	281771500	1061	281717500
6"	146,8			281771600		281717600



The information contained in this brochure is for guidance only. We reserve the right to modify any material or feature without notice in advance. For further information, please, consult our web site. www.inoxpa.com