

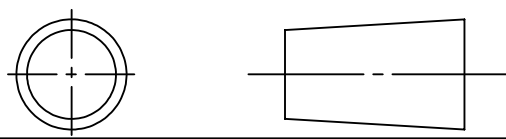
MODEL: TUBE KIT GP-2000

CONN. SIZE: DN15/20

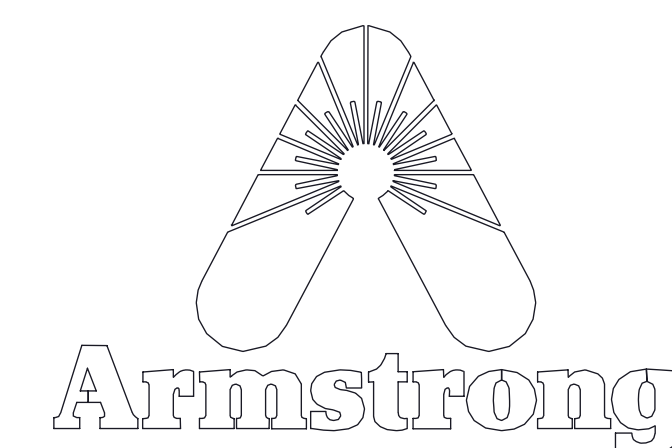
TYPE: KS2900

VENDOR NAME: YOSHITAKE, JAPAN.

REF.NUMBER: 001317420


 DO NOT SCALE DRAWING
 TOLERANCES UNLESS
 OTHERWISE SPECIFIED
 DIMENSIONING
 ENGLISH [mm]
 FRACTIONAL $\pm 1/64$
 ANGULAR: ± 2

DECIMAL	.XXX \pm	.0005	IN.	MM
	.XXX \pm	.005	.010	.10
	.XX \pm	.015	.10	
	.X	-----	.3	



ARMSTRONG INTERNATIONAL
 Copyright © 2010 ARMSTRONG INTERNATIONAL, INC.
 KIT SENSING GP2000 KS2900 FITS 1/2 3/4
 DN15/20

NAME
 HAJI

DATE

06/18/2012

MATERIAL PURCHASED ASSEMBLIES

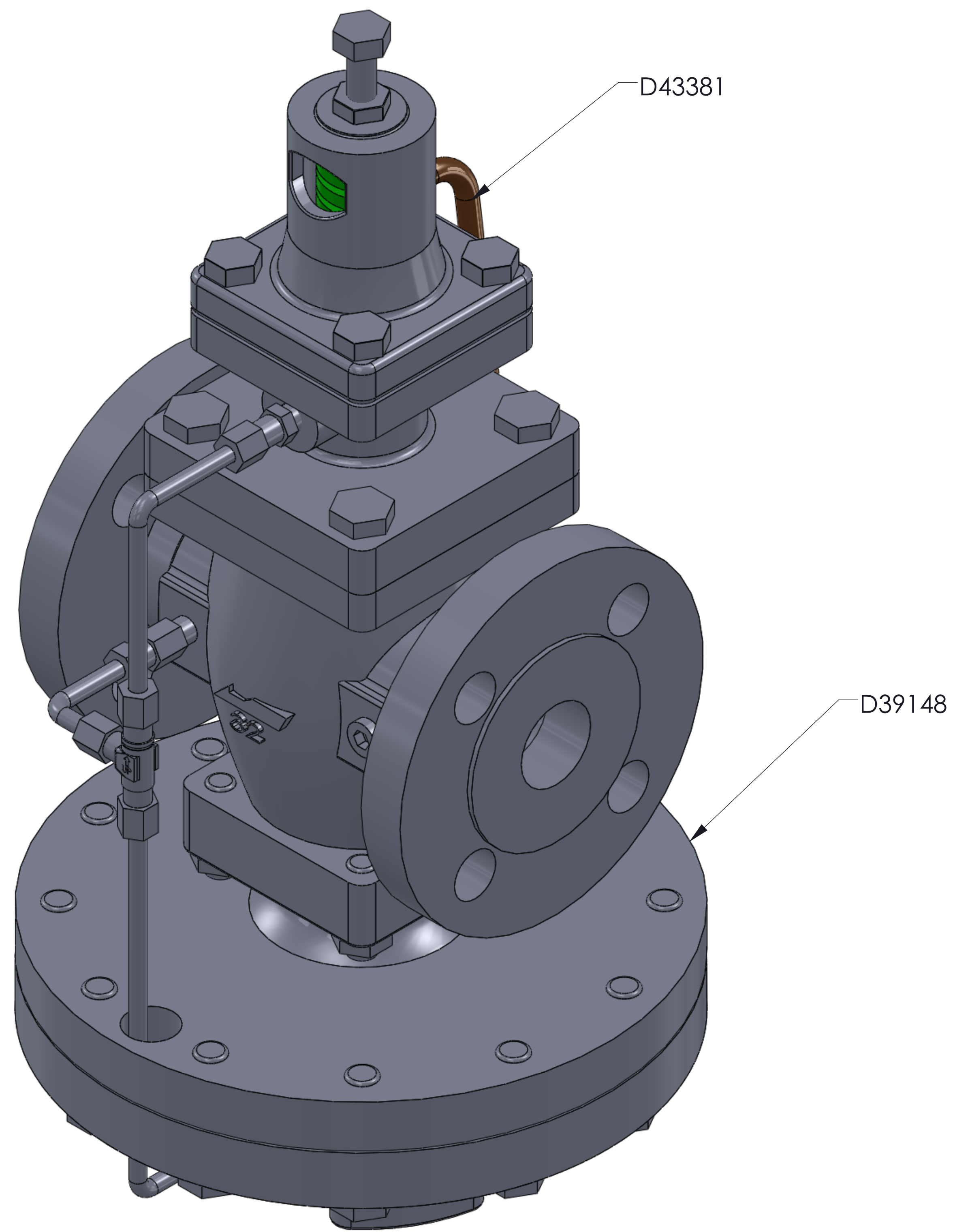
SHEET 1 OF 1

DRAWN

RELEASED

CN35799

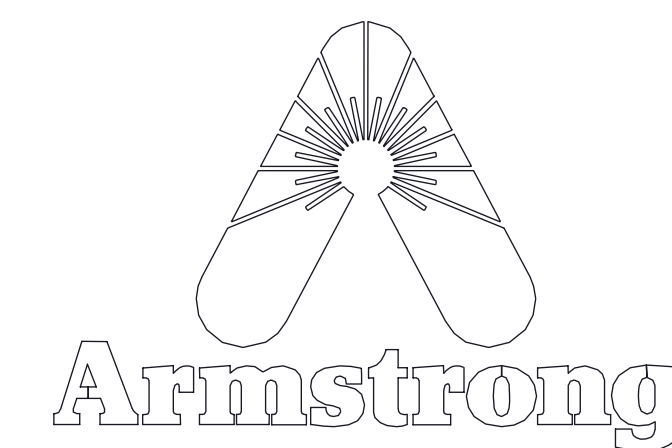
REV C DWG. D43379



**GP-2000 PN25RF 1-14BAR GRN SPRG
W/EXTERNAL COPPER LINE**

DO NOT SCALE DRAWING
 TOLERANCES UNLESS
 OTHERWISE SPECIFIED
 DIMENSIONING
 ENGLISH [mm]
 FRACTIONAL ± 1/64
 ANGULAR: ± 2

DECIMAL	.XXX ±	IN. .0005	MM .010
	.XX ±	.015	.10
	.X	-----	.3



ARMSTRONG INTERNATIONAL
 Copyright © 2010 ARMSTRONG INTERNATIONAL, INC.
 GP-2000 PN25RF 1-14BAR GRN SPRG
 W/EXTERNAL COPPER LINE

NAME	DATE	MATERIAL	SHEET 1 OF 1
DURAI	06/25/2012		
RELEASED		CN30372	REV A DWG.