

Y-TYPE STRAINER



THREADED ENDS: PT、 BSPT、 BSP、 NPT、 DIN2999、 DIN259、 DIN EN ISO228

PRODUCT STYLE: Y11F-800WOG (P/R)

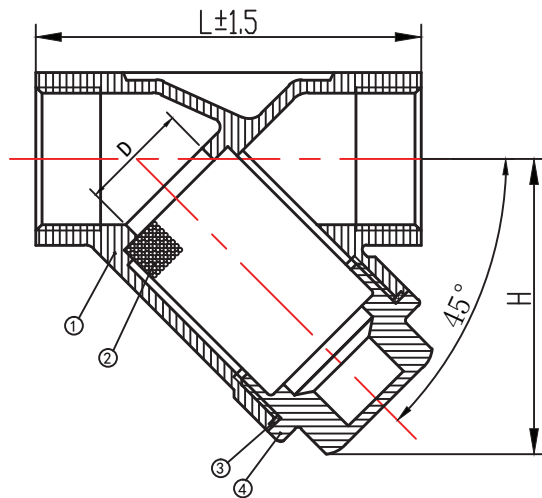
WORKING PRESSURE: 800PSI

TEMPERATURE RANGE: -20°C ~ 180°C

MATERIAL: ASTM-A351-CF8M、 ASTM-A351-CF8、 ASTM-A351-WCB

DESIGN STANDARD: ASME B16.34 GB/T12237

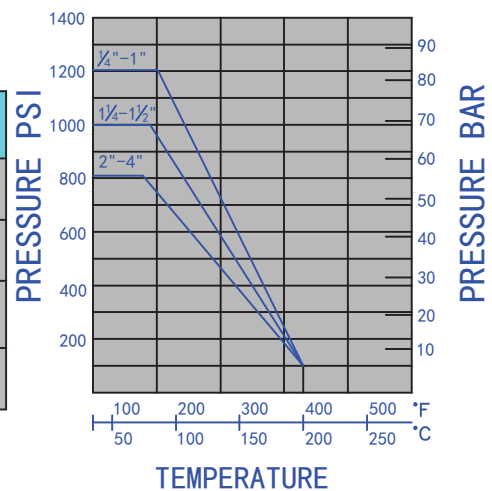
TEST & INSPECTION: API 598 JB/T9092



MAIN PARTS MATERIALS:

..P/N	ITEM	MATERIAL	QTY
1	BODY	CF8/CF8M	1
2	FILTER	S304/S316	1
3	JOINT GASKET	PTFE/RPTFE	1
4	CAP	CF8/CF8M	1

PRESSURE-TEMPERATURE RATING



MAIN SIZE:

SIZE	1/4"	3/8"	1/2"	3/4"	1"	1¼"	1½"	2"	2½"	3"	4"
DN	8	10	15	20	25	32	40	50	65	80	100
D	8	10	15	20	25	32	40	50	65	80	100
L ± 1.5	54	54	59	73	84	97	106	127	165	188	232
H	35	35	45	60	63	80	88	109	138	153	196
WEIGHT (Kg)	0.135	0.120	0.155	0.275	0.355	0.55	0.73	1.235	2.43	3.835	5.835