



CHRYSsafidis

ΜΑΝΟΜΕΤΡΑ ΠΙΣΩ ΟΥΡΑ

Mechanical
Pressure Measurement

602311A 1/2

Bourdon Tube Pressure Gauge Model 111.16, Panel Mounting Series, Back Pressure Entry

WIKA Data Sheet PM 01.10

Applications

- Suitable for all gaseous and liquid media that will not obstruct the pressure system or attack copper alloy parts
- Pneumatics
- Heating, ventilation, climate
- Small-capacity compressor
- Medical engineering

Special Features

- Reliable and economical
- Design EN 837-1
- Nominal sizes 40, 50 and 63 mm
- Scale ranges up to 0...400 bar



Bourdon Tube Pressure Gauge Model 111.16

Description

Design

EN 837-1

Nominal size

40, 50 and 63 mm

Accuracy class

2.5

Scale ranges

0 ... 0.6 to 0 ... 400 bar (max. 40 bar with 160 mm)
Or other equivalent units of pressure or vacuum.

Working pressure

Steady: $\frac{3}{4}$ of full scale value
Fluctuating: $\frac{2}{3}$ of full scale value
Short time: full scale range

Operating Temperature

Ambient: -40 ... +60 °C
Medium: +60 °C maximum

Temperature effect

When temperature of the pressure element deviates from reference temperature (+20 °C):
Max. ± 0.4 %/10 K of the span.

Standard version

Pressure connection

Material: Cu-alloy
Threaded entry (back only) per EN 837-1 / 7.3
40 mm: G $\frac{1}{8}$ B, 14 mm flats
50 and 63 mm: G $\frac{1}{4}$ B, 14 mm flats

Pressure element

Material: Cu-alloy
 ≤ 60 bar: C-type
 > 60 bar: helical type

Movement

Cu-alloy

Dial

White plastic, with pointer stop in
Black lettering

Pointer

Black plastic

Case

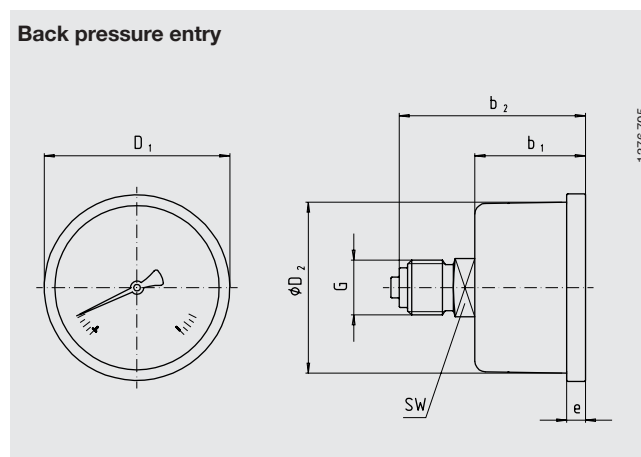
Black plastic with integral panel ring

Window

Crystal-clear plastic, snap-fit

Optional extras

- Accuracy class 1.6
- Other pressure connection
- 3-hole panel mounting flange
- Panel mounting clamp

Dimensions in mm**Standard version**

NS	Dimensions in mm					Weight in kg			
	$b_1 \pm 0,5$	$b_2 \pm 0,5$	D_1	D_2	G	B	SW	e	
40	26.5	44.5	45	40	G	B	14	4.5	0.06
50	26.5	47.5	54	49.5	G	1/4 B	14	4.5	0.07
63	30	47.5	68	63	G	1/4 B	14	5	0.08

Standard pressure entry with parallel thread and sealing to EN 837-1 / 7.3

Ordering information

Pressure gauge model / Nominal size / Scale range / Size of connection / Optional extras required

Specifications and dimensions given in this leaflet represent the state of engineering at the time of printing.
Modifications may take place and materials specified may be replaced by others without prior notice.



WIKAL Alexander Wiegand GmbH & Co. KG
 Alexander-Wiegand-Straße 30
 63911 Klingenberg/Germany
 Phone (+49) 93 72/132-0
 Telefax (+49) 93 72/132-406
 E-Mail info@wika.de
 www.wika.de