



Grooved Swing Check Valve

Fig. 304

ΚΛΑΠΕ ΑΥΛΑΚΩΤΑ

General Description

Rapidrop Figure 304 is a rubber faced, grooved swing type check valve that allows water flow in one direction only.

A hinged clapper remains open with water flowing in one direction, and automatically closes, with the help of an incorporated spring, when flow stops preventing backflow. The clapper seat design permits leak free sealing of back pressures in service conditions ranging from 24 bar to as low as 0.35 bar (710 mm water head).

Rapidrop Figure 304 grooved swing check valve is suitable for installation in both horizontal and vertical (with the flow upwards) pipelines.

Connections

Groove to ISO 6182

Maximum Working Pressure

24bar (350PSI)

Coating

Fusion Bonded Epoxy Coating

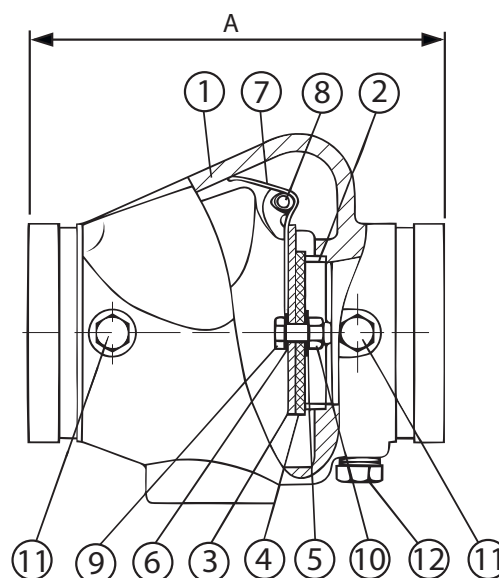
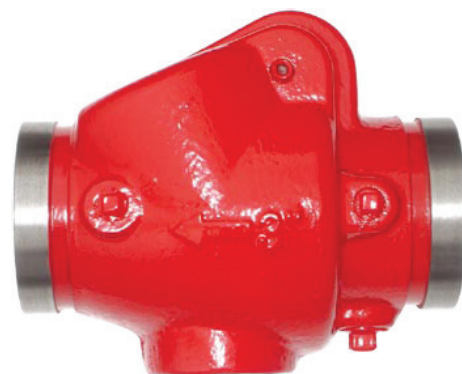
In accordance with ANSI / AWWA C550 or painting upon request

Approvals

UL, FM

Material Specification

Number	Part	Specification
1	Body	Ductile Iron ASTM A 395
2	Seat	Bronze
3	Clapper	Stainless Steel 304
4	Facing Seal	EPDM Rubber
5	Clamping Ring	Stainless Steel 304
6	Gasket	EPDM Rubber
7	Spring	Stainless Steel 304
8	Hinge Pin	Stainless Steel 304
9	Bolt	Stainless Steel 304
10	Locknut	Stainless Steel 304
11	Plug 1/4" NPT	Carbon Steel
12	Plug 1/2" NPT	Carbon Steel



Sizes

Sizes		Dimensions (mm)		Weight (kg)	Product Ordering Code
mm	inch	OD	A		
DN 50	2" *	60.3	169	2.5	RDCV050G
DN 65	2 1/2"	73.0	183	4	RDCV073G
DN 65	2 1/2"	76.1	183	4	RDCV065G
DN 80	3"	88.9	198	6	RDCV080G
DN 100	4"	114.3	218	9	RDCV100G
DN 125	5"	139.7	248	15	RDCV139G
DN 125	5"	141.3	248	15	RDCV125G
DN 150	6"	165.1	270	19	RDCV150G
DN 150	6"	168.3	270	19	RDCV168G
DN 200	8"	219.1	325	35	RDCV200G

*only UL listed



Data Sheet 1.36

Issue C

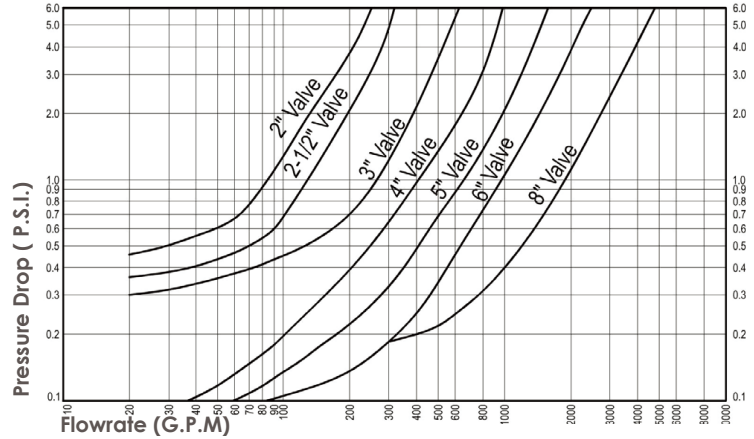


Grooved Swing Check Valve

Fig. 304

Installation

The valve must be installed with the direction arrow on the body coincident with the direction of the flow in the pipeline. Rapidrop grooved swing check valve can be installed horizontally or vertically. For vertical pipework the flow direction should be upwards only. Large valves are provided with lifting eye bolt, which should be used to manoeuvre the valve.



Flow coefficient Values

Sizes		OD (mm)	Cv (Full Open)
mm	inch		
DN 50	2"*	60.3	100
DN 65	2 1/2"	73.0	140
DN 65	2 1/2"	76.1	140
DN 80	3"	88.9	250
DN 100	4"	114.3	390
DN 125	5"	139.7	700
DN 125	5"	141.3	700
DN 150	6"	165.1	1000
DN 150	6"	168.3	1000
DN 200	8"	219.1	1800

Important Installation Information

- *Rapidrop Figure 304 grooved swing check valve* must only be installed by a competent person in accordance with requirements of the local authority having jurisdiction. Deviations from these standards will invalidate warranty.
- It is the responsibility of the installing contractor to include a copy of this document in the sprinkler system installation, operating and maintenance manual.
- Alterations to Rapidrop products will void any warranty.
- *Figure 304 grooved swing check valve* should be inspected and maintained during routine sprinkler system inspections by a competent person in accordance with national codes/requirements.
- Failure to follow these instructions could cause improper operation, resulting in personal injury and/or property damage.
- For further details and technical support please contact your Rapidrop sales representative.

DS: 1.36
Issue C
12/10/17
© 2017 Rapidrop