

HIGHRISE SWING CHECK VALVE GROOVED ENDS

365PSI

Fig No.: 5201-365-GGI

DESCRIPTION

5201-365-GGI is a non-return valve which permits water flow in one direction and prevents flow in reverse direction. This function is realized by a spring loaded EPDM sealed carbon steel clapper and a broadened bronze seat, to provide a long service time and leak-free sealing. It is widely used with various configurations in fire pump room, fire sprinkler systems, fire department connections, gravity pressure tank or by-pass connections etc.



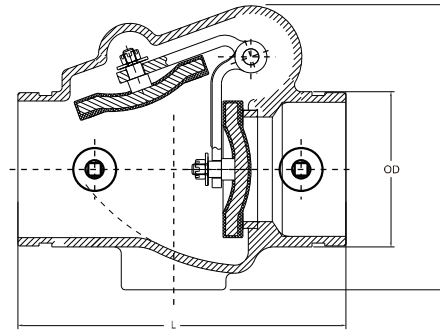
FEATURES & SPECIFICATIONS

- Swing type
- Spring loaded EPDM sealed carbon steel clapper
- Fusion bonded epoxy coated RAL3002
- Grooved ends to suit ANSI / AWWA and BS Pipe size
- Working pressure : 365psi
- Working temperature : 0°C ... 80°C



MATERIALS LIST

Part	Specification
Body	Ductile Iron ASTM A536 65-45-12
Seat	Bronze ASTM B62 C83600
Clapper	Carbon Steel WCB Q235 + EPDM
Clapper Arm	Stainless Steel AISI 304
Washer	Stainless Steel AISI 304
Hexagonal Slot Thin Nut	Stainless Steel AISI 304
Split Pin	Stainless Steel AISI 304



DIMENSIONS (inch/mm)

Size	2"/50	2.5"/65	3"/80	4"/100	5"/125	6"/150	8"/200	10"/250	12"/300			
L	6.65/169	7.99/203	8.39/213	9.65/245	10.54/267	11.50/292	14.02/356	17.01/432	19.49/495			
H	5.69/144.65	6.02/153	6.71/170.5	7.89/200.5	9.33/237	10.75/273	12.91/328	15.24/387	17.66/448.5			
OD	2.37/60.3	2.87/73	3.0/76.1	3.5/88.9	4.5/114.3	5.5/139.7	5.56/141.3	6.5/165.1	6.63/168.3	8.63/219.1	10.75/273	12.75/323.9

NET WEIGHT (kg) & CRATE QTY (pcs)

Size	2"/50	2.5"/65	3"/80	4"/100	5"/125	6"/150	8"/200	10"/250	12"/300
N.W.	3.5	4.5	6	9.5	18	19.5	33	53	94
Crate Qty	100	100	95	50	32	32	6	6	2