



# DATASHEET J4C-20

# J4C/20

## INDEX

---

### J4C - 20

GENERAL CHARACTERISTICS .....	02
SIZES .....	03
EXPLODED VIEW .....	04

# Datasheet - J4C 20

## GENERAL CHARACTERISTICS

### MATERIAL:

**Body:** Anticorrosive Polyamide, Grey colour / **Optional:** Polypropilene V0, Black colour.  
**Cover:** Anticorrosive Polyamide, Red colour / **Optional:** Polypropilene V0, Natural colour.  
**Output drive:** Zamak, Zinc plated / **Optional:** Zamak, TEFLON coated  
**Flange:** ZamaK and Zinc plated / **Optional:** Zamak and TEFLON coated.  
**Main external shaft:** Anticorrosive Polyamide  
**External screws:** Stainless Steel  
**Gears:** Steel and Polyamide  
**Visual position indicator:** Polyamide  
**Dome:** Polycarbonate  
**Adjustable internal cams:** Polyamide



**Electronic Torque Limiter function**  
**Electric motor:** 24VDC Brushless motor  
**Insulation:** Class B  
**(IEC 60034) Service:** S4

Modelo	S20	B20
Voltage VDC/VAC 50/60Hz-0/+5%	24-240 VDC/VAC	12 VDC/VAC ONLY

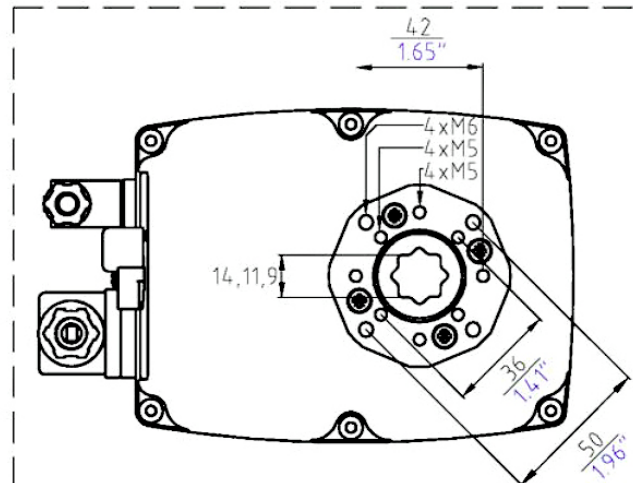
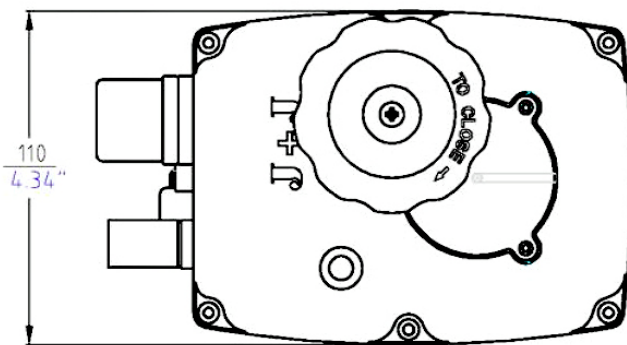
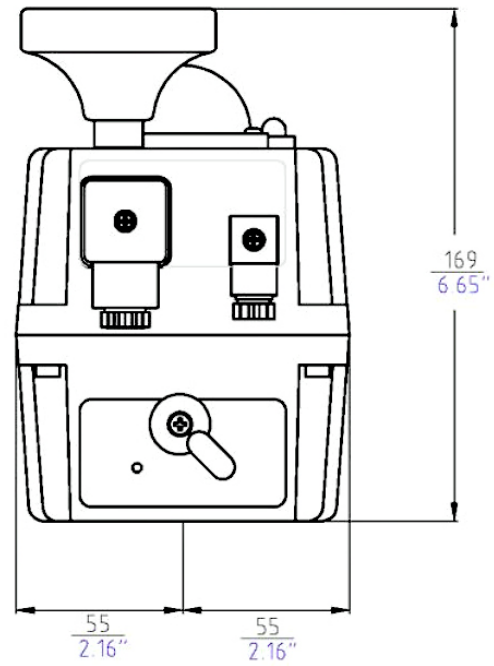
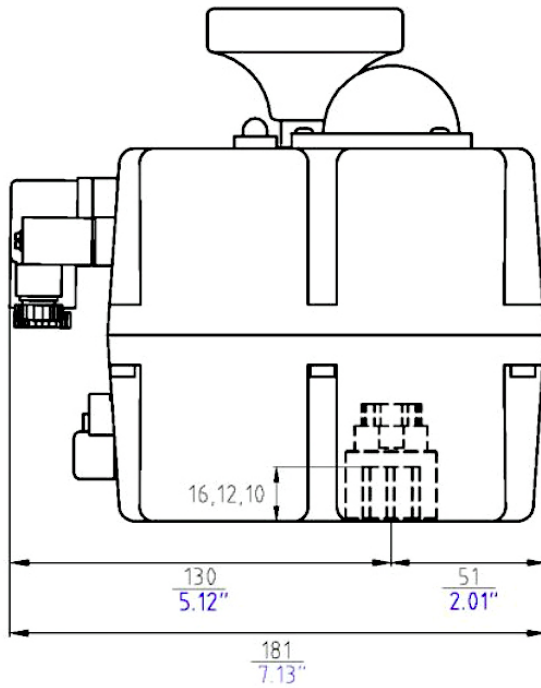
Model	S20/B20
Operation time unload	9 Sec./90°
Maximum torque break	25 Nm / 221 lb/in
Maximum operational torque	20 Nm / 177 lb/in
Duty rating	75 %
Max. Working angle	0° to 270°
Limit switch	4 SPST NO micro (2 motor stop and 2 confirmations)
Automatic heater	3,5 W
Big Plug	EN175301-803 FORM A
Small Plug	DIN43650/C
Protection IEC 60529 rating	IP67
Temperature	-20°C +70°C / -4°F +158°F
ISO 5211 Plate	Standard: F03/F04/F05 Optional: F07 *17mm
DIN 3337 Female output drive	Standard: *14 Optional: *9, *11mm
Weight	1,8 Kg

### Options

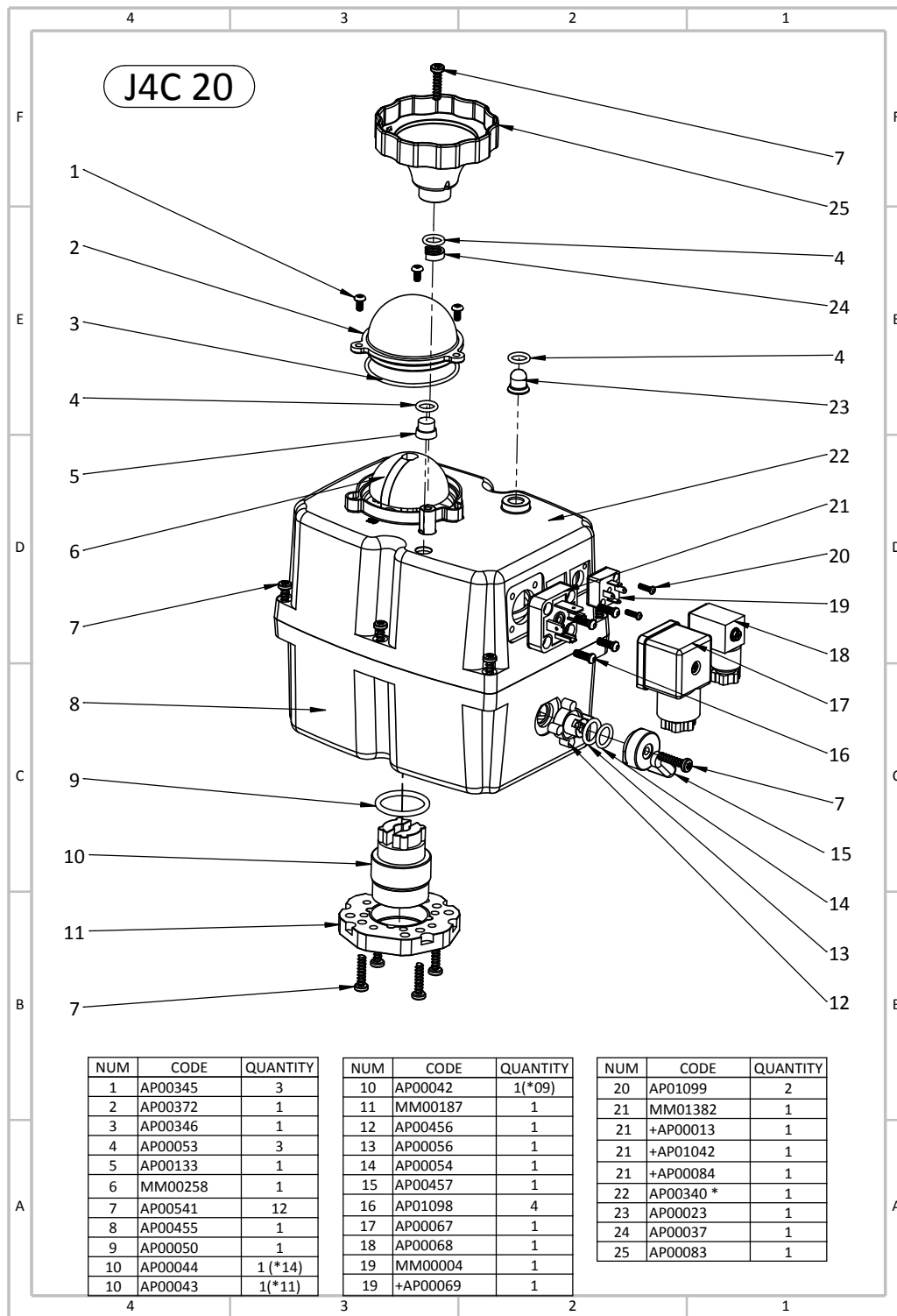
J4C 20/85 KIT DPS digital positioner:	4-20mA, 0-20mA, 0-10V or 1-10V
J4C 20/85 KIT BSR emergency fail safe kit system by battery	NC- NO
Potentiometer	1K, 5K or 10K
3 position actuator	0°-45°-90° or 0°-90°-180°

Note: Technical data are the same despite the different casings.

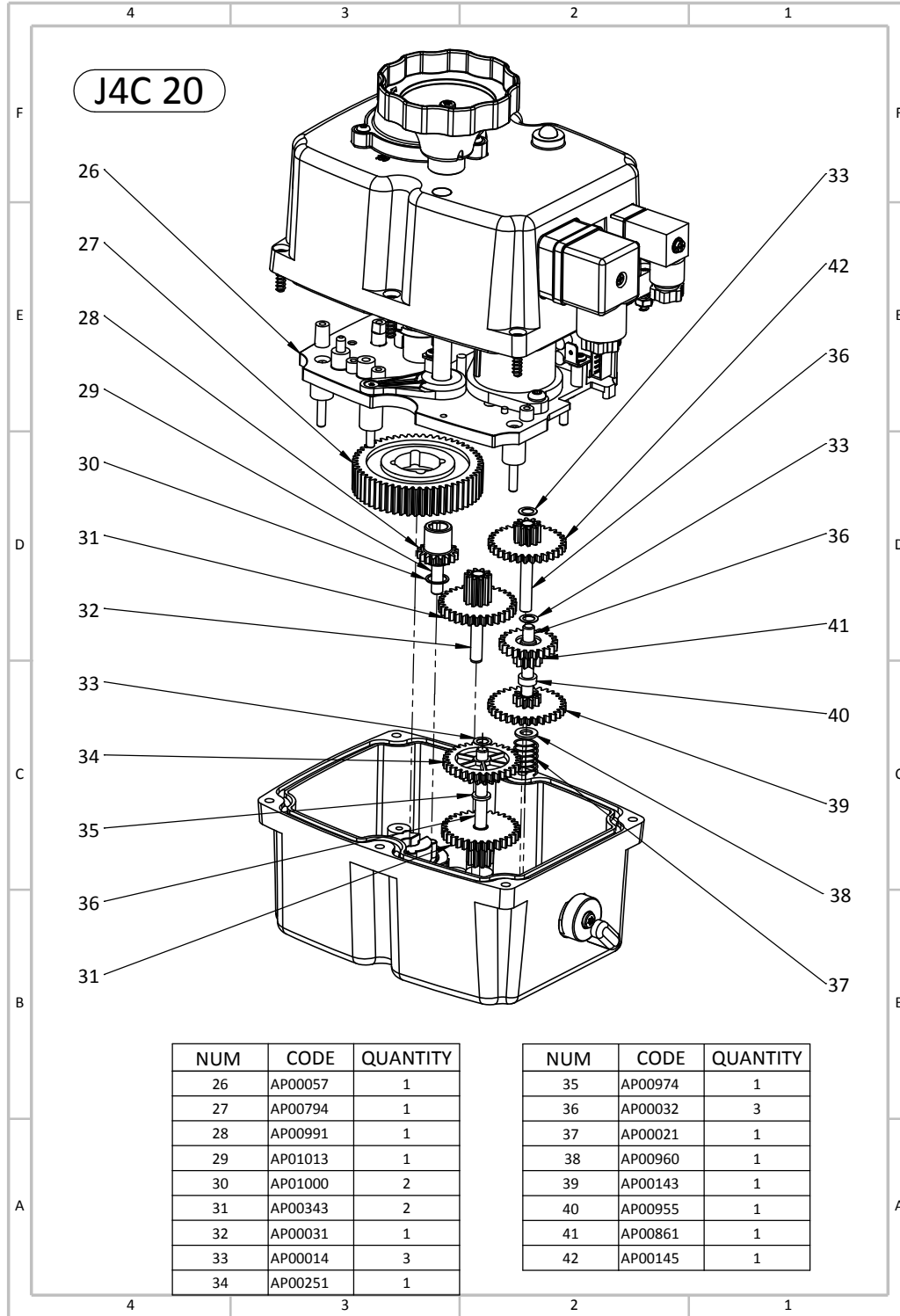
## J4C 20 SIZES



# Exploded View



# Exploded View



# Exploded View

