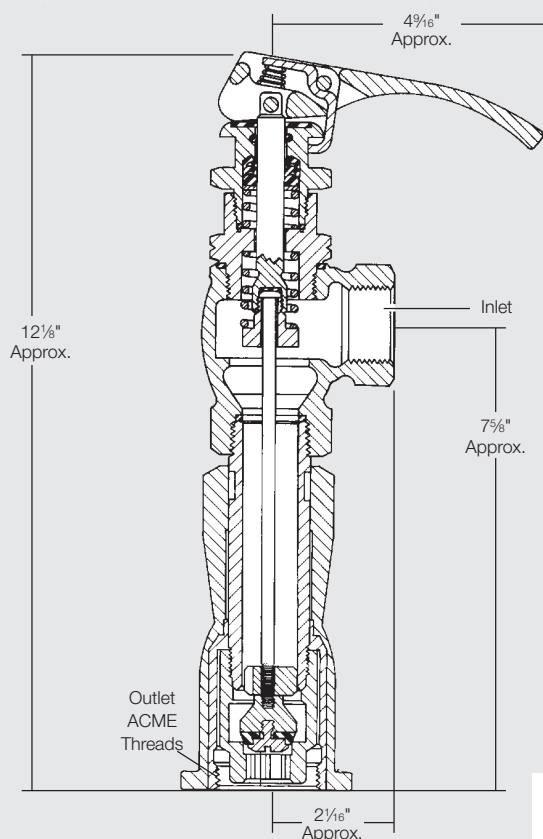


Quick-Acting Minimum Loss Hose-End Valves for Bobtail Delivery Trucks and Dispensing Stations

A7793 and A7797



Application

Designed to vastly reduce the amount of product vented when disconnecting bobtail delivery trucks, dispensing systems and anhydrous ammonia nurse tanks.

These valves provide instant, full-on flow at the flip of a handle. Shut-off is instant and the handle locks for added protection.

This "top of the line" hose-end valve is a fully contained unit that does not require additional filling adapters or connectors.

Features

- Minimizes product venting loss, when disconnecting, instantly by housing the seat disc at the bottom of the built-in ACME filling connector.
- Vents less than 1/500th of a gallon when disconnected.
- "V"-ring spring-loaded pressure seal design provides for dependable, leak-free operation. No packing to retighten or replace.
- Operator friendly. Contoured handle rotates a full 360° and large, easy to grip filling connector make the valve easy to handle.
- Self locking handle is operator opened and closed to prevent against accidental opening of the valve.

Materials

Body Ductile Iron
"V"-Ring Teflon
Stem Stainless Steel
Seat Disc Synthetic Elastomer
ACME Connector Aluminum w/Steel Insert
Seal Housing Stainless Steel
Lever Stainless Steel
Bonnet Cadmium Plated Steel

Ordering Information

Part Number	Inlet Connection (F. NPT)	Outlet Connection (F. ACME)	Locking Handle	Flow At 1 PSIG (Cv) Pressure Drop* (GPM/Propane)
A7793	3/4"	1 3/4"	Yes	16.0
A7797	1"			

* To obtain approximate flow at other than 1 PSIG pressure drop, multiply flow in table by square root of pressure drop. Example: A7797 @ 9 PSIG = 16.0 x $\sqrt{9}$ = 48.0 GPM/propane. For NH₃ flow, multiply propane flow by .90.

