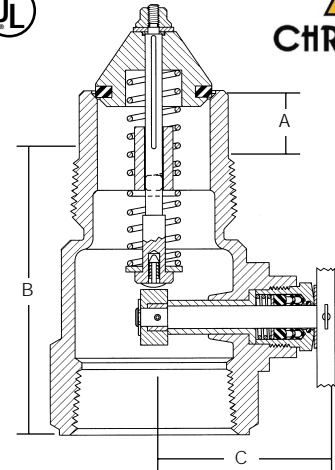
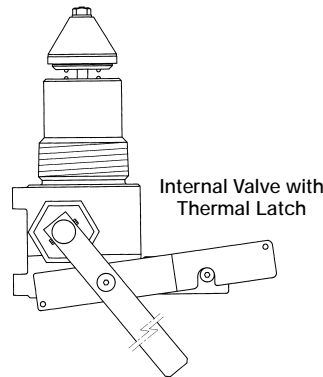
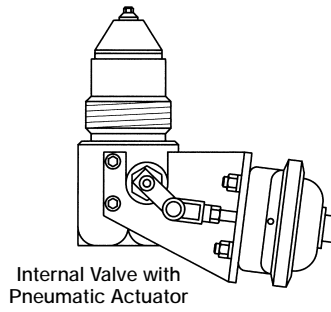


Threaded Internal Valves For Bobtail Delivery Trucks, Transport and Stationary Storage Tanks

A3212A Series  
A3213A Series



Application

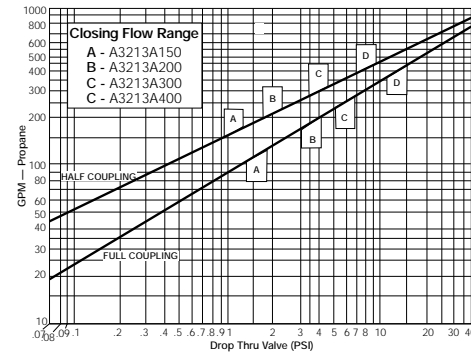
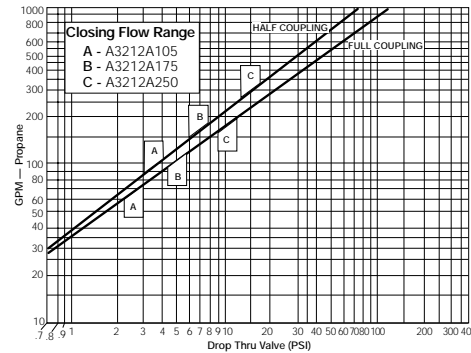
Designed primarily for use with LP-Gas and anhydrous ammonia for liquid withdrawal; vapor transfer or vapor equalization of bobtail delivery trucks, transports, stationary storage tanks, and in-line installations. The valve may be operated manually by cable or pneumatically.

Features

- May be installed in full and half couplings.
- Nylon bearing supported operating shaft provides smooth, easy operation.
- Simple operating lever facilitates easy adaptation of all cable controls.
- Midway stem position allows for quicker pressure equalization.
- All critical operating components are located in the valve body inside the container coupling for maximum protection against physical damage.
- Built in excess flow valve.
- Return spring returns the valve to the closed position when the handle is released.
- Specify RegO® Internal Valves on your next new tank body or when your tank is rebuilt.
- A3213PA pneumatic actuator provides a convenient means of opening and closing the valve from a remote location, using either air or nitrogen.

Materials

Body ..... Ductile Iron  
Operating Lever ..... Cadmium Plated Steel  
Stem ..... Stainless Steel  
Springs ..... Stainless Steel  
Seat Disc ..... Resilient Synthetic Rubber  
Shaft Bearing ..... Nylon



NOTE: Multiply flow rate by .94 to determine liquid butane flow and by .90 to determine liquid anhydrous ammonia flow.

Ordering Information

Part Number	Inlet Connection M. NPT	Outlet Connection F. NPT	Closing Flow (GPM) Half Coupling		Closing Flow (GPM) Full Coupling		A	B	C	Accessories	
			LP-Gas	NH <sub>3</sub>	LP-Gas	NH <sub>3</sub>				Pneumatic Actuator	Thermal Latch
A3212A105	2"	2"	105	95	65	59	1 <sup>9</sup> / <sub>16</sub> "	4 <sup>1</sup> / <sub>4</sub> "	4 <sup>1</sup> / <sub>8</sub> "	A3212PA	A3212TL
A3212A175			175	158	100	90					
A3212A250			250	225	130	117					
A3213A150	3"	3"	150	135	125	113	1 <sup>9</sup> / <sub>16</sub> "	5 <sup>15</sup> / <sub>16</sub> "	4 <sup>1</sup> / <sub>8</sub> "	A3213PA	A3213TL
A3213A200			200	180	160	144					
A3213A300			300	270	250	225					
A3213A400			400	360	325	293					

