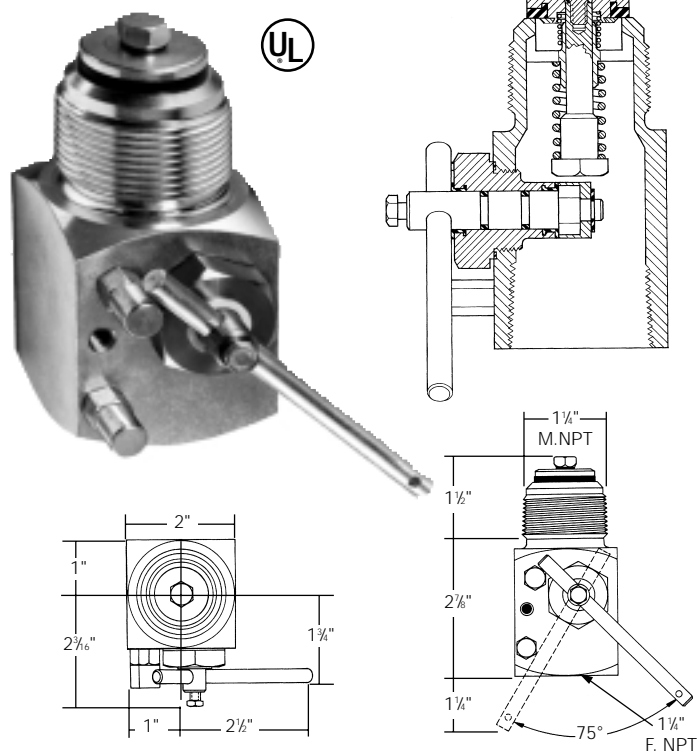


1/4" Threaded Internal Valve for Small Capacity Pumping Systems and Bobtail Vapor Equalization

A3209A Series



Application

Designed primarily for use with LP-Gas and anhydrous ammonia as a main valve on small capacity pumping systems, NH<sub>3</sub> nurse tanks and in-line installations. It may also be installed in the vapor equalizing opening on bobtail delivery trucks. Installation is quick and easy, and it fits in both full and half couplings, as well as, in-line applications. The valve may be actuated manually by hand or cable.

Features

Provides More Efficient Operation

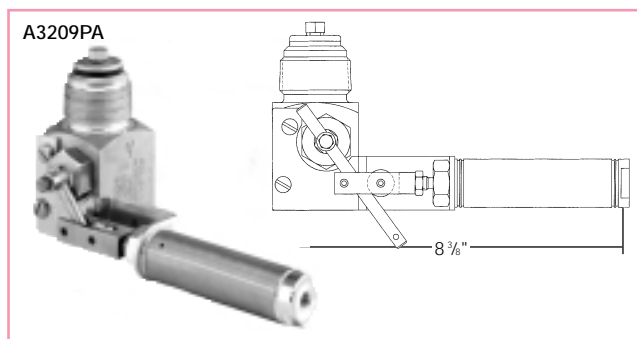
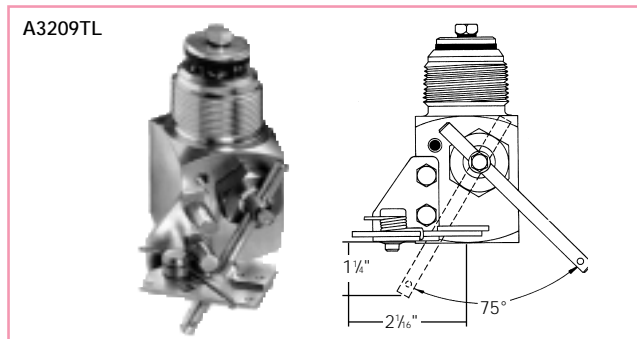
- Valve is compact, with one piece body construction.
- Double o-ring seal is designed to provide trouble-free operation in all weather conditions.
- Shaft bearings provide smoother operation of the valve.
- Release cables mount perpendicular to the valve for more convenient and versatile operation.

Less Frequent-Easier Maintenance

- Simplified one piece cam and operating shaft assembly can be maintained without evacuating the system or removing the valve from the tank.
- Shaft bearings require no lubrication.
- Square shape allows easier wrenching during installation and removal of the valve.

Durable Construction

- Cadmium plating helps resist corrosion during storage and use.
- External lever stops limit travel of the operating shaft and eliminates excessive stress on internal parts.
- Equipped with 212° F., UL listed fuse link for thermal protection.
- Built-in excess flow valve.



Materials

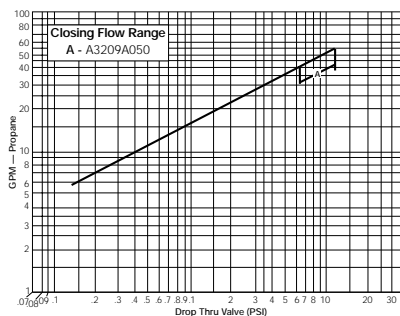
- Body ..... Cadmium Plated Steel
- Operating Lever ..... Cadmium Plated Carbon Steel
- Stem ..... Stainless Steel
- Springs ..... Stainless Steel
- Shaft Bearing ..... Nylon
- Seat Disc ..... Synthetic Resilient Rubber

A3209TL Thermal Latch Accessory

Designed especially for use with the A3209A050 Internal Valve. When the valve's operating lever is moved to open position, a spring loaded latch automatically holds the lever open. If exposed to fire or extreme heat, the built-in 212°F fusible element is designed to melt and return the operating lever to the closed position. Latch is easily installed while valve is "in-line". Accommodates convenient and versatile release cable installations.

A3209PA Pneumatic Actuator

Designed especially for use with the A3209A050 Internal Valve. Provides a convenient means of opening and closing the valve from a remote location. Easily installed while valve is "in-line". Operates with pressures from 40 to 200 psig.



NOTE: Multiply flow rate by .94 to determine liquid butane flow and by .90 to determine liquid anhydrous ammonia flow.



Ordering Information

Part Number	Inlet Connection M. NPT	Outlet Connection F. NPT	Closing Flow** (GPM)		LP-Gas Vapor Capacity** (SCFH/Propane)				Accessories	
			LP-Gas	NH <sub>3</sub>	25 PSIG Inlet	50 PSIG Inlet	75 PSIG Inlet	100 PSIG Inlet	Thermal Latch	Pneumatic Actuator
A3209A050	1/4"	1/4"	50	45	11,350	14,800	17,600	20,000	A3209TL	A3209PA

\*Installs in full or half coupling.  
\*\* Data for flow in half coupling.

