

Double-Check Filler Valves

ΒΑΛΒΙΔΕΣ ΠΛΗΡΩΣΗΣ

General Information

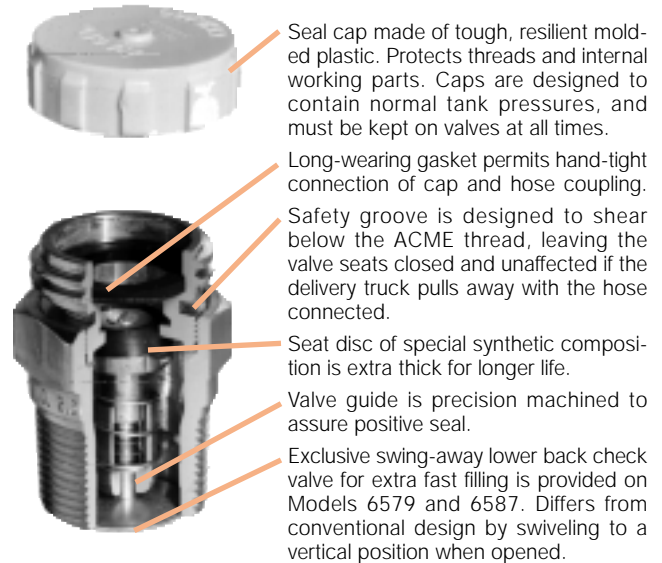
RegO® Double-Check Filler Valves incorporate a resilient upper check valve, normally designated as a filler valve, and a lower check valve, commonly called a back pressure check valve. Available in a range of sizes to cover virtually all LP-Gas storage containers, these valves are UL listed and meet NFPA standards, as well as other safety requirements.

Flow of liquid into the storage container opens both check valves. When flow stops, they both are designed to close automatically to permit the operator to disconnect the hose coupling. The automatic closing action also helps prevent the discharge of container contents in the event of hose failure. The lower back pressure check affords extra protection by restricting the discharge if the upper check fails to function properly due to accidents or other causes.

The double back check construction allows emergency inspection, repair, or replacement of the upper fill assembly without removing product from the container. When the upper filler valve body is removed, the lower back check valve provides a seal, permitting only some leakage, allowing a new upper filler valve body to be installed.

Spare Gasket Ordering Information

ACME	Part Number
1¼"	A2797-20R
1¾"	A2697-20R
2¼"	A3184-8R
3¼"	A3194-8R



Double-Check Filler Valves for Large Motor Fuel and ASME Tanks

6579 Series and 7579 Series

Application

Designed to provide fast filling of large motor fuel and ASME domestic tanks.

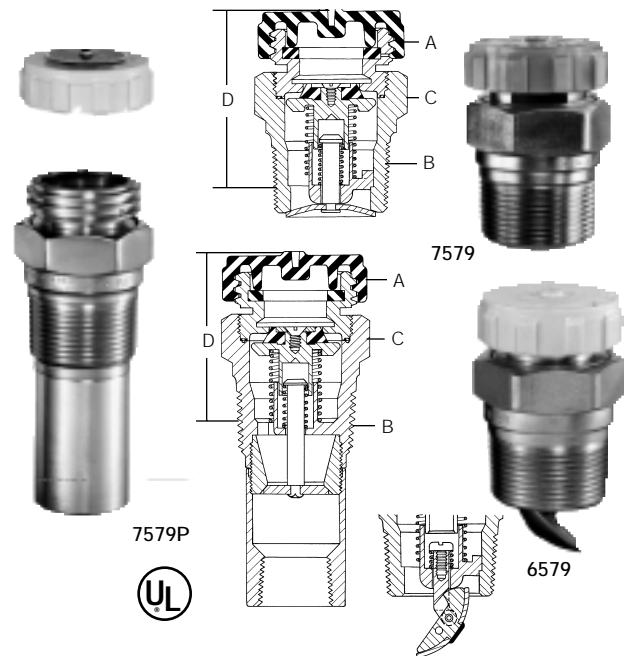
The 6579 Series incorporates a swing-away lower check which greatly reduces pressure drop across the valve. This lower pressure drop promotes faster filling rates and greater efficiency resulting in more profitable operations.

Features

- Double back check provides added system protection.
- Upper filler valve assembly can be easily replaced without evacuating the container.
- Both checks are spring actuated for quick, precise closure when flow into the valve stops or reverses.
- 6579 Series swing-away check promotes faster filling for more profitable operations.
- Specify RegO® Filler Valves on all your original tank purchases to insure quality and dependable performance.

Materials

Upper Body	Brass
Lower Body	Brass
Springs	Stainless Steel
Washer and Seat Disc	Synthetic Rubber
Cap	Plastic



Ordering Information

Part Number		A ACME Hose Connection	B Tank Connection M. NPT	C Wrench Hex Flats	D Effective Length (Approx.)	Propane Liquid Capacity at Various Differential Pressures (GPM)				
Cap Only	Cap, Chain and Ring					5 PSIG	10 PSIG	25 PSIG	50 PSIG	75 PSIG
7579	7579C	1¾"	1¼"	1⅞"	2 11/16"	50	70	111	157	192
7579P	—		1¼"			37	52	82	116	142
6579**	6579C**		1¼"			78	110	174	246	301

* Incorporates ¾" F. NPT dip pipe connection

** Swing-away lower back check valve design for higher filling rate.

NOTE: Multiply flow rate by .94 to determine liquid butane capacity.

REGO
PRODUCTS