



CHRYSSAFIDIS

ΒΑΛΒΙΔΕΣ ΛΗΨΗΣ  
ΑΕΡΙΑΣ ΦΑΣΗΣ

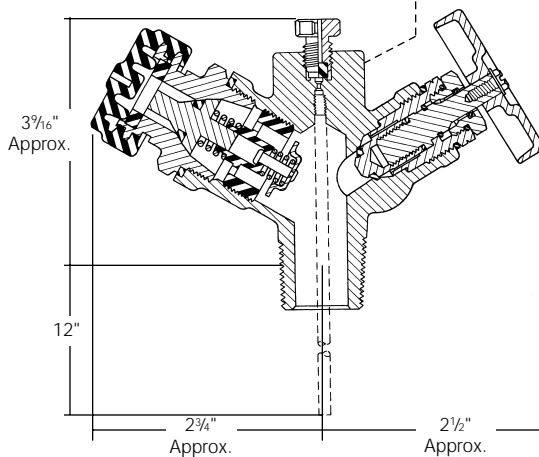
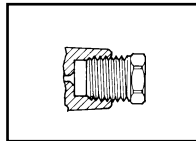
314005A 1/1

ASME Multivalves® for Vapor Withdrawal

7556R



1/4" Steel Plug Installed



Application

These compact Multivalves® are especially suited for vapor withdrawal of ASME containers where compact groupings of components are necessary. Separate filler valves and pressure relief valves are required.

Features

- Combines service valve, vapor equalizing valve with excess flow, fixed liquid level gauge and plugged pressure gauge opening in one unit.
- Rugged, 1" wrenching boss on center column minimizes possible damage during installation.
- Low profile design extends only 3" above the container boss, allowing use of smaller domes.
- "Y" shape configuration allows for ease of operation with all valves and gauges easily accessible at all times.
- Includes 1/4" F. NPT gauge boss, plugged.
- MultiBonnet® allows quick and easy repair of bonnet.

Materials

Body .....	Forged Brass
Handwheel .....	Aluminum Die Cast
Valve Stem .....	Brass
O-Ring .....	Resilient Rubber
Seat Disc (shut-off valve) .....	Nylon
Seat Discs (other) .....	Resilient Rubber

Ordering Information

Part Number	Container Connection	Service Connection	Vapor Equalizing Connection		Fixed Liquid Level Vent Valve Style	Dip Tube Length	For Use In Containers w/Surface Area Up To:
			Connection Size	UL Listed Closing Flow			
7556R12.0	3/4" M. NGT	F. POL (CGA 510)	1 1/4" M. ACME	4200 CFH @100 PSIG	Knurled	12"	*

\* Since these Multivalves® have no integral pressure relief valves, they can be used on any ASME container with an independent relief device sufficient for that tank's capacity.

