

**External Hydrostatic Relief Valves 3125, 3127, 3129, SS8001, SS8002, SS8021 and SS8022 Series**



**Application**

Designed especially for the protection of piping and shut-off valves where there is a possibility of trapping liquid LP-Gas or anhydrous ammonia. They may be installed in pipelines and hoses located between shut-off valves or in the side boss of RegO® shut-off valves.

**Features**

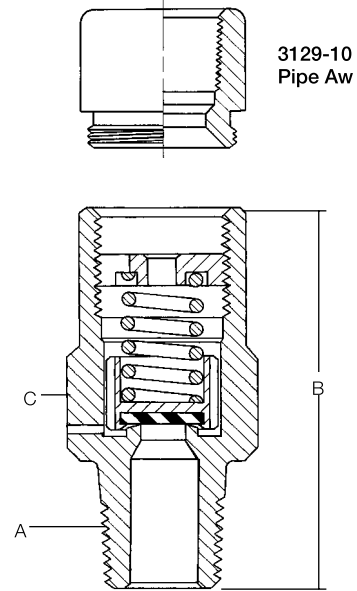
- Relief valve designed to automatically reseal firmly after discharge.
- Resilient seat disc provides a “bubble-tight” seal.
- Available in both brass and stainless steel.
- Available in configurations that permit direct attachment of vent piping when required.

**Materials**

Body (3125, 3127, 3129)..... Brass  
 Body (SS8001, SS8002, SS8021, SS8022)..... Stainless Steel  
 Spring..... Stainless Steel  
 Seat Disc..... Resilient Rubber



3125 Series (.161 Orifice)  
 3127 Series (.274 Orifice)  
 3129 Series (.386)

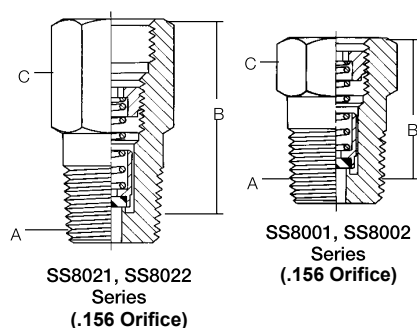


**Ordering Information**

Part Number	Start To Discharge Setting PSIG	Valve Body Material	A Container Connection M. NPT	B Height (Approx.)	C Wrench Hex Section	Accessories	
						Protective Cap	Pipeaway Adapter or Threads
SS8001G	250	Stainless Steel	1/4"	7/8"	1 1/16"	-	-
SS8002G			1/2"		7/8"		
SS8021G			1/4"	1 3/8"	1 1/16"		1/4" NPSM Thrds
SS8022G			1/2"		7/8"		3/8" NPT Thrds
3127G	275	Brass	1/4"	1 3/32"	7/8"	7545-40	-
3129G			1/2"	2 9/32"	1 1/8"		3129-10*
3127H			1/4"	1 3/32"	7/8"		-
3129H			1/2"	2 9/32"	1 1/8"		3129-10*
3127P	300	Brass	1/4"	1 3/32"	1 1/8"	-	-
3129P			1/2"	2 9/32"	1 1/8"		3129-10*
SS8022P		Stainless Steel	1/2"	1 3/8"	7/8"	-	3/8" NPT Thrds
3127J	350	Brass	1/4"	1 3/32"	7/8"	7545-40	-
3129J			1/2"	2 9/32"	1 1/8"		3129-10*
SS8001J		Stainless Steel	1/4"	7/8"	1 1/16"	-	-
SS8002J			1/2"		7/8"		
SS8021J		Stainless Steel	1/4"	1 3/8"	1 1/16"	-	1/4" NPSM Thrds
SS8022J	1/2"	7/8"	3/8" NPT Thrds				
3127K	375	Brass	1/4"	1 3/32"	7/8"	7545-40	-
3129K			1/2"	2 9/32"	1 1/8"		3129-10*
3125L			1/4"	1 1/16"	5/8"	Included	-
3127L				1 1/32"	7/8"	7545-40	-
3129L	1/2"	2 9/32"	1 1/8"	3129-40P	3129-10*		
SS8001L	400	Stainless Steel	1/4"	7/8"	1 1/16"	-	-
SS8002L			1/2"		7/8"		
SS8021L			1/4"	1 3/8"	1 1/16"		1/4" NPSM Thrds
SS8022L			1/2"		7/8"		3/8" NPT Thrds
3127U	450	Brass	1/4"	1 3/32"	7/8"	7545-40	-
3129U			1/2"	2 9/32"	1 1/8"		3129-10*
SS8001U		Stainless Steel	1/4"	7/8"	1 1/16"	-	-
SS8002U			1/2"		7/8"		
SS8021U		Stainless Steel	1/4"	1"	1 1/16"	-	1/4" NPSM Thrds
SS8022U	1/2"	7/8"	3/8" NPT Thrds				



SS8022G



SS8001, SS8002 Series (.156 Orifice)

\* 1/2" F. NPT outlet connection.