



CHRYSSAFIDIS

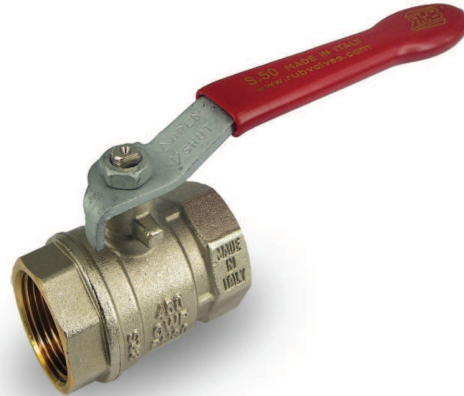
RUBINETTERIE UTENSILERIE BONOMI



S.50

1/4" - 2"

hot forged brass ball valves



Quality:

- 24h 100% seal test guaranteed
- Dual sealing system allows valve to be operated in either direction making installation easier
- No metal-to-metal moving parts
- No maintenance ever required
- Handle clearly shows ball position
- Silicone-free lubricant on all seals
- Travel stops on body to avoid stresses at stem
- Chrome plated brass ball for longer life with rinse hole (the rinse hole is expected from 1/2" up to 2" sizes)

Body:

- Hot forged sand blasted, external nickel plated brass body and cap sealed with Loctite® or equivalent thread sealant
- Finest brass according to EN 12165 and EN 12164 (formerly DIN 17660 and UNI 5705-65) specifications

Stem:

- Blowout-proof nickel plated brass stem
- Two FPM O-Rings at the stem for maximum safety

Seals:

- Pure PTFE self-lubricating seats with flexible-lip design

PED Directives:

- According to 97/23 CE module A: it cannot be used with dangerous gases in sizes larger than 25mm



Threads:

- ISO 228 parallel female by female threads

Flow:

- Full port to DIN 3357 for 1/4" and 3/8" sizes, nominal port for compact design from 1/2" to 2" sizes.

Handle:

- Geomet® carbon steel handle with thick PVC dip coating. Handle coating offers both thermal and electrical protection
- Handle removable with valve in service

Working Pressure:

- 40 Bar (600 PSI) up to 3/8", 30 Bar (450 PSI) over 3/8"
- non-shock cold working pressure

Working Temperature:

- -40°C (-40°F) / +170°C (+350°F)
- Warning: freezing of the fluid in the installation may severely damage the valve

Options:

- EN 10226-1 parallel female by female threads (S.51 model)
- Male by Female threads
- Stem extension
- T-handle
- Oval lockable handle
- AISI 430 stainless steel handle
- Patented locking device

Upon Request:

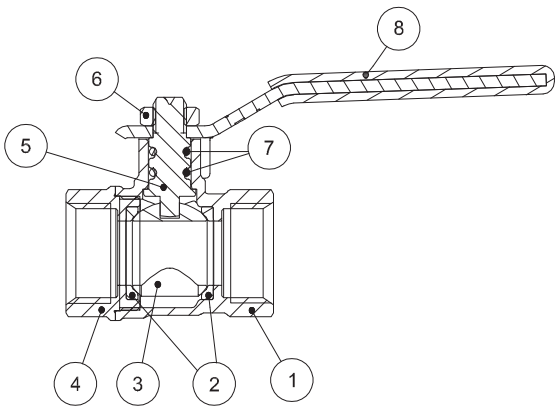
- AISI 316 stainless steel ball
- Glass filled PTFE seals
- Custom Design



Approved by or in compliance with:

- RoHS Compliant

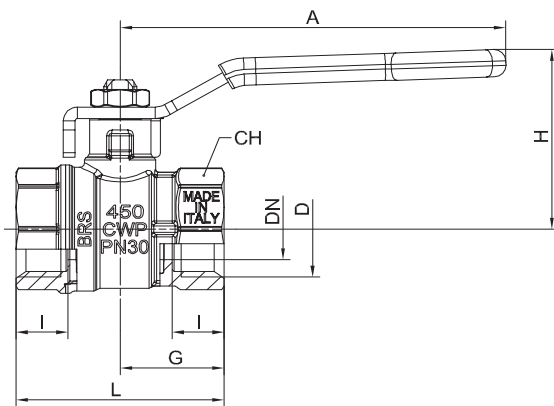
NOTE: Approvals apply to specific configurations/sizes only.



1.1/4"-2" Hollow ball

Part Description	Q.ty	Material
1 Nickel plated body (external nickel plated, unplated inside)	1	CW617N
2 Seat	2	PTFE
3 Chrome plated ball with rinse hole (read rinse hole on sizes from 1/2" up to 2")	1	CW617N
4 Nickel plated end cap (external nickel plated, unplated inside)	1	CW617N
5 Nickel plated stem O-ring design	1	CW617N
6 Geomet® nut	1	CB4FF
7 O-Ring	2	FPM
8 Red PVC coated Geomet® steel handle	1	DD11

NOTE: Drawings refer to 1/2" up to 2" sizes

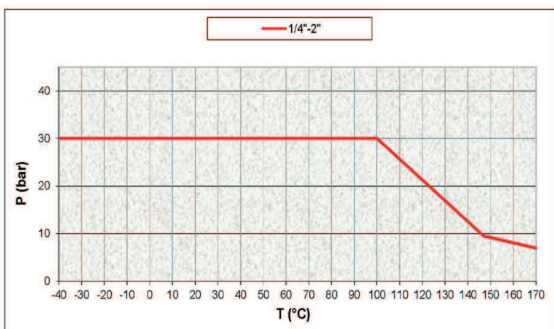


Code	S50B00	S50C00	S50D00	S50E00	S50F00	S50G00	S50H00	S50I00
D (inch)	1/4	3/8	1/2	3/4	1	1.1/4	1.1/2	2
DN (mm)	8	10	13.5	18	22.5	28.5	36	45
I (mm)	9	9	11	12	14	15	17	19
L (mm)	39	39	44	52	61.5	73	86	101
G (mm)	19.5	19.5	22	26	30.7	36.5	43	50.5
A (mm)	82	82	82	100	120	120	158	158
H (mm)	38	38	39.5	43.5	52	57	75.5	82.5
CH (mm)	20	20	25	31	38	48	54	66

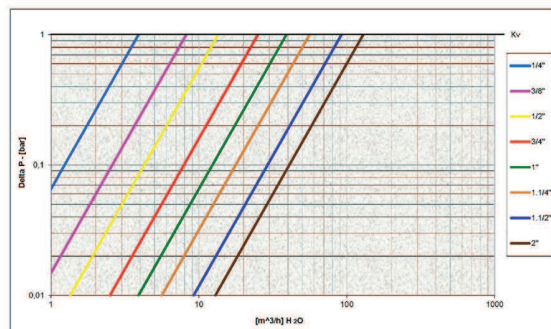
DN shows actual flow diameter. Configuration of valves 1/4" and 3/8" sizes is slightly different.

Ask for additional information on the whole range of RuB valves and consult with your supplier for special applications. Ball valves are marked CE on handle from 1.1/4" to 2" as follow: CE XXCODEXX Cat. I-A

Pressure-Temperature Chart



Pressure Drop Chart



The company reserves all rights for the information contained herein. Products may be changed at any time without notice. Any undated reference to a code or standard shall be interpreted as referring to the latest edition. RuB and logo are registered trademarks of RuB-Rubinetteria utensilerie Bonomi. Other logos and registered trademarks are property of respective owners.

XCESSO-Rev: 3700

- RuB** - www.rubvalves.com - sales@rubvalves.com - Phone: +39 030 212441 - Fax: +39 030 2629498 - Via Padana Superiore, 27/29 Frazione Ciliverghe 25080 Mazzano (Brescia) Italy
- RuB Inc.** - www.rubinc.com - sales@rubinc.com - Phone: +1 (952) 857 1114 - Fax: +1 (952) 857 1118 - 4401 Dean Lakes Blvd. Shakopee, MN 55379-2715 (USA)
- RuB kk** - www.rubkk.jp - sales@rubkk.jp - Phone: +81 (80) 96401122 - Fax: +81 422 36 3639 - NK Uchi-Kanda Building, 3rd Floor 1-14-5 Uchi-Kanda, Chiyoda-ku 101-0047 Tokyo Japan