

ΔΙΑΚΟΠΤΕΣ ΠΛΥΝΤΗΡΙΟΥ

DESCRIPTION

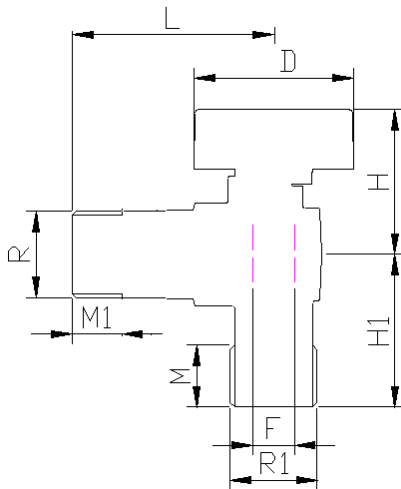
Chromium plated washing machine tap



FEATURES

- brass CW617N body, ball, stem.
- ball ground by diamond-tipped tool, chromium plated.
- virgin P.T.F.E. seats with 7° min. tightness angle.
- o-ring stem packing in NBR rubber.
- Metal chromium plated handle
- matt chrome finishing.
- threading to ISO 228/1.
- PN10 - 90°

LEADING DIMENSIONS



R"xR1	1/2"x1/2"	1/2"x3/4"
F	10	10
L	49	49
H1	36	31
H	35	35
M	14	14
M1	10	10
D	38	38

