



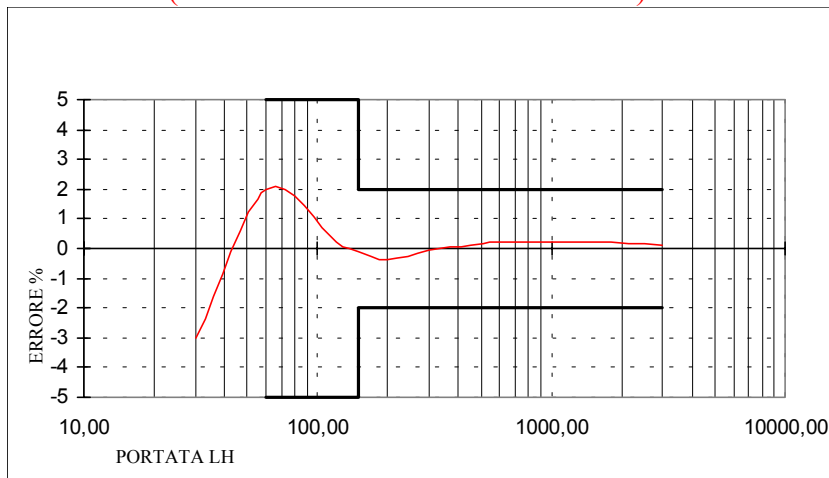
Patented!!

CHARACTERISTICS

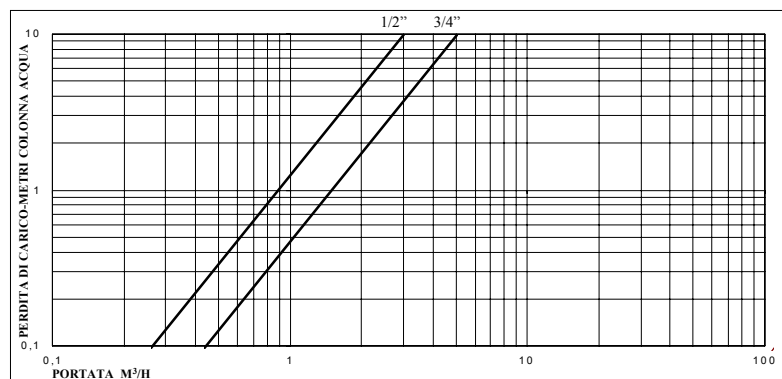
Single jet water meter, dry type, magnetic coupling .

- The meter is approved according to Class B EEC 75/33.
- Body in hot forged brass (OT58) with galvanized surface.
- “Packet” drums system which allow big dimension drums.
- 4 patents pending.
- Internal sealing system.
- Nominal working pressure (NP) 16 bar.
- Effective and innovative device against damage caused by frost or water hammer.
- 100% of total production hydraulically tested on 3 points of the curve (Qmin, Qt and Qmax) carried out by testing devices designed according to ISO 4064/3 and 4185, and approved by an European Metrological Institute.
- On request the meter can be supplied with frontal reading for easier reading in installations in recess.
- On request the meter can be supplied with a plastic lid.

TYPICAL ERROR CURVE –(CLASS B EEC 75/33 – ISO 4064/1)



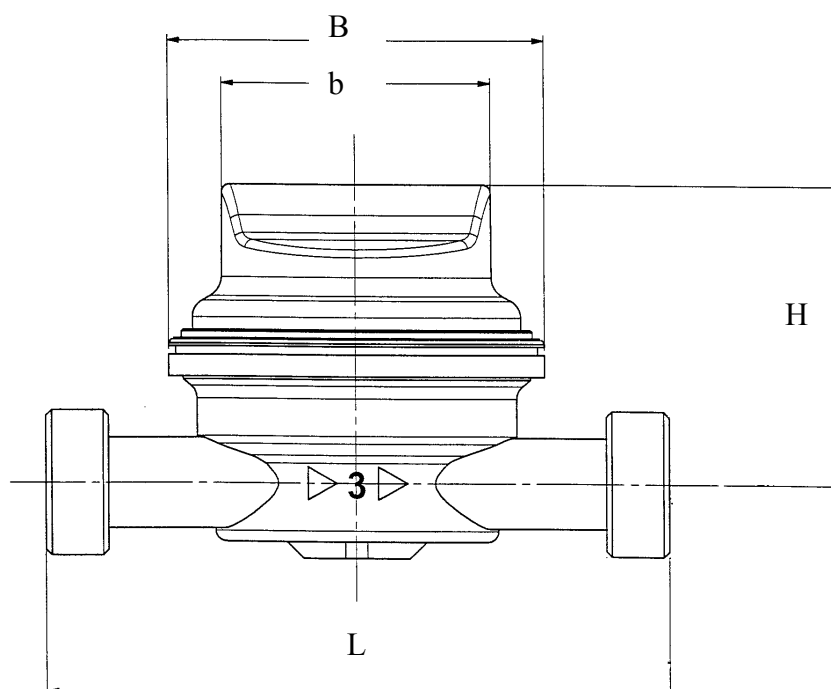
HEADLOSS DIAGRAM


CHRYSSAFIDIS

OVERALL DIMENSIONS AND HYDRAULIC PERFORMANCES.



SIZE	mm	15	20
	Inches	½"	¾"
Performances according to EEC Class B 75/33 – ISO 4064/1			
Qmin	l/h	30	50
Qt	l/h	120	150
Qn	m ³ /h	1.5	2.5
Qmax	m ³ /h	3.0	5.0
Real performances			
Qmin	l/h	25	45
Qt	l/h	100	130
Qn	m ³ /h	1.5	2.5
Qmax	m ³ /h	5.0	5.0
Starting flow	l/h	10 -12	13 - 15
Head of loss at Qmax	bar	1	0.7
Nominal pressure	bar	16	16
Maximum reading	m ³	100.000	100.000
Minimum reading	l	0.5	0.5
Turbine revolution per litre		41.33	29.76
Weight without couplings	kg	0.45	0.60
L	mm	80 - 110 - 120	130
l (length with couplings)	mm	160-190-200	228
H	mm	72	77
B	mm	14	17
b	mm	70	70
Nr. of EEC approval cold water		B93 322.01	B93 322.02
Nr. of EEC approval hot water		B93 48.01	B93 48.02



MADDALENA S.R.L.