

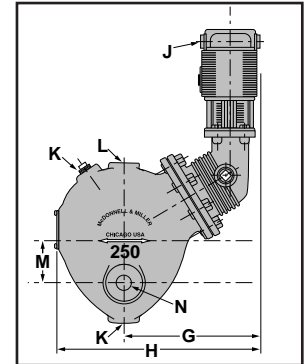
**Low Water Cut-Offs – Mechanical  
Combination Low Water Cut-Off/Pump Controllers for Steam Boilers**

**Series 94**



**Low Water Cut-Off/Pump Controllers**

- For commercial and industrial low or high pressure steam boilers
- Maintains consistent water level regardless of pressure
- For boilers of any steaming capacity
- No. 5 Switch included
- Magnetic repulsion eliminates need for bellows
- Optional features
  - Manual reset
  - On/Off or proportional control switch to maintain constant boiler water level
  - BSPT threads
- 1¼" NPT connections
- Maximum pressure 250 psi (17.6 kg/cm<sup>2</sup>)

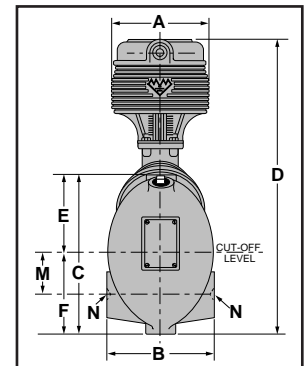


**Electrical Ratings**

345 VA at 120 or 240 VAC

**Ordering Information**

Model Number	Part Number	Description	Weight lbs. (kg)
94	165200	Combination low water cut-off/pump controller w/No. 5 switch	52.5 (23.8)
94-A	165500	94 w/alternate tapplings	50.3 (22.8)
94-AM	165800	94-A w/manual reset	50.3 (22.8)
94-A-7B	165700	94-AM w/No. 7B switch	52.5 (23.8)
<b>94-J</b>	<b>165850</b>	<b>94 w/BSPT threads</b>	<b>52.5 (23.8)</b>
94-J-7B	165875	94-7B w/BSPT threads	52.0 (23.6)
94-M	165900	94 w/manual reset	52.5 (23.8)
94-7B	166300	94 w/No. 7B switch	52.0 (23.6)



**Dimensions, in. (mm)**

Model	A	B	C	D
94	6 (152)	7 (178)	10 <sup>9</sup> / <sub>16</sub> (268)	18 <sup>13</sup> / <sub>16</sub> (478)
94-A	6 (152)	7 (178)	10 <sup>9</sup> / <sub>16</sub> (268)	18 <sup>13</sup> / <sub>16</sub> (478)

Model	E	F	G	H
94	5 <sup>7</sup> / <sub>8</sub> (149)	4 <sup>11</sup> / <sub>16</sub> (119)	8 <sup>3</sup> / <sub>4</sub> (222)	12 <sup>15</sup> / <sub>16</sub> (328.6)
94-A	5 <sup>7</sup> / <sub>8</sub> (149)	4 <sup>11</sup> / <sub>16</sub> (119)	8 <sup>3</sup> / <sub>4</sub> (222)	12 <sup>15</sup> / <sub>16</sub> (328.6)

Model	J	K NPT	L NPT	M	N
94	½ (15)	1¼	1¼	–	–
94-A	½ (15)	1¼	1¼	2 <sup>1</sup> / <sub>6</sub> (52)	1¼ (32)



BOILER CONTROLS

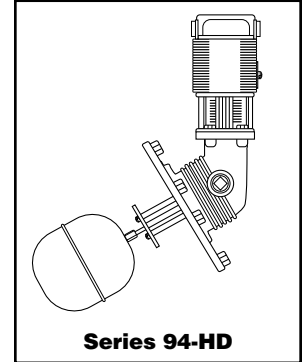
## Combination Low Water Cut-Off/Pump Controllers For Steam Boilers

### Series 94 & 194

#### Low Water Cut-Off/Pump Controllers

#### Replacement Head Mechanisms

For Model	Repl. Head Model No.	Description	Weight lbs. (kg)
94, 194	94-HD	Head mechanism	21 (9.52)
	94-M-HD	Head mechanism, manual reset	21 (9.52)
	94-7B-HD	Head mechanism with 7B switch	21 (9.52)
	94-7B-M-HD	Head mechanism with 7B switch, manual reset	21 (9.52)



#### Components (shown on page 27)

Item Number	Part Number	Model Number	Description	Weight lbs. (kg)
1	165302	94-HDLS	Head w/o switch	15.0 (6.8)
2	345700	SA91-60	Float (includes item 3)	0.7 (.32)
3	323300	92-68	Gasket	0.1 (.05)
4	110300	5	Electric switch	3.5 (1.6)
5	110400	5-M	No. 5 w/manual reset	3.5 (1.6)
6	110800	7B	Electric switch/ proportioning control	4.0 (1.8)
7	110900	7B-M	No. 7B w/manual reset	4.0 (1.8)
<b>#5 Switch</b>				
1	344800	SA91-30B	Burner Switch Contact Assembly <small>(Red dot on terminal panel) (Includes 1A terminal panel)</small>	0.1 (.05)
2	345000	SA91-30P	Pump Switch Contact Assembly <small>(Blue dot on terminal panel) (Includes 2A terminal panel)</small>	0.1 (.05)
<b>#7B Switch</b>				
1	344800	SA91-30B	Burner Switch Contact Assembly <small>(Red dot on terminal panel) (Includes 1A terminal panel)</small>	0.1 (.05)
2	309000	7B-1R	Resistor/Slide Wire Assembly	0.1 (.05)
3	345150	SA7-30	Terminal Panel	0.5 (.23)



**Combination Low Water Cut-Off/ – Pump Controllers  
For Steam Boilers**

**Series 94 & 194 (continued)  
Low Water Cut-Off/Pump Controllers**

BOILER CONTROLS

