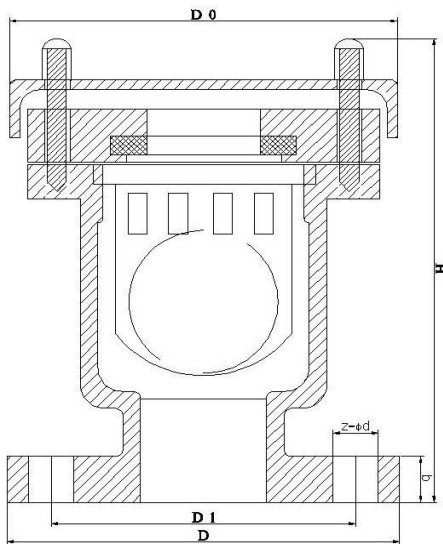




ΑΕΡΟΕΞΑΓΩΓΟΙ ΔΙΠΛΗΣ ΣΝΕΡΓΕΙΑΣ  
DOUBLE ACTION AIR VENTS



DESIGN&MANUFACTURESTANDARD  
**BS1074—PN10/PN16**

**Tests**  
**Hydraulic Test Acc To BS1074—PN10/PN16**  
**Seat:1.1XPN.BODY:1.5Xpn Operating Torque Test.**

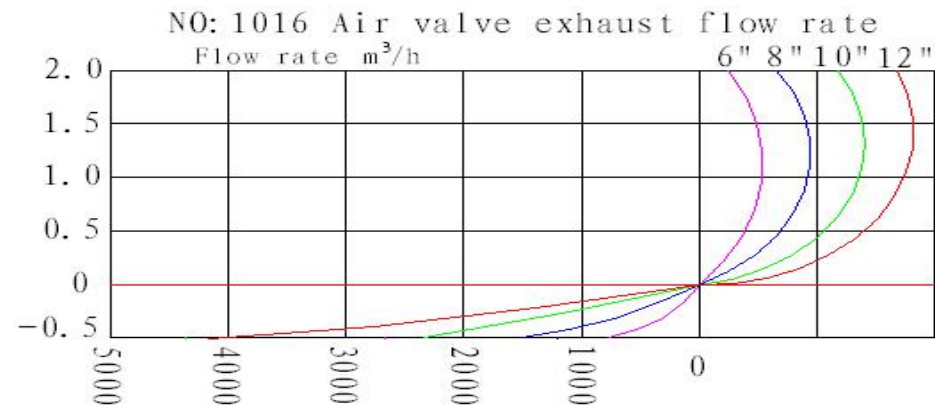
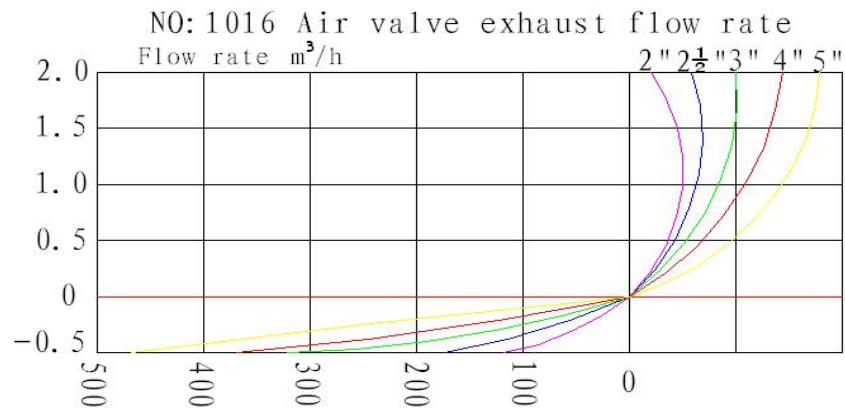
Flow Rate	
SIZE	m <sup>3</sup> /h
in. 2 (50mm)	105
in. 2½ (65mm)	180
in. 3 (80mm)	310
in. 4 (100mm)	370
in. 5 (125mm)	480
in. 6 (150mm)	750
in. 8 (200mm)	1450
in. 10 (250mm)	2300
in. 12 (300mm)	4200

**Applicable Standards**

<b>1.Flange Drilledacc</b>	<b>To BS4504/EN1092-2</b>
<b>2.Face To Face Dimensionacc.</b>	<b>To BS4504/EN1092-2</b>
<b>3.Flange</b>	<b>Raised Face Flange</b>
<b>4.Maximum Working Pressure</b>	<b>16Bar(1.6mpa)</b>
<b>5.Maximum Working Temperature</b>	<b>100°C</b>

**Material List**

<b>1.Body:</b>	<b>DI/DUCTILE IRON</b>
<b>2.Bonnet:</b>	<b>DI/DUCTILE IRON</b>
<b>3.Cap :</b>	<b>DI/DUCTILE IRON</b>
<b>4.Bolt:</b>	<b>SS304</b>
<b>5.Nut :</b>	<b>SS304</b>
<b>6.Sealing Ball:</b>	<b>SS304</b>
<b>7.Gasket:</b>	<b>Nbr/Epdm</b>



**Dimensions**

**Unit:mm**

SIZE	BS4504 PN10/EN1092-2					BS4504 PN16/EN1092-2					H
	D	D1	b	Z- φd	Do	D	D1	b	Z- φd	Do	
in. 2 (50mm)	165	125	20	4-19	155	165	125	20	4-19	155	200
in. 2½ (65mm)	185	145	20	4-19	155	185	145	20	4-19	155	200
in. 3 (80mm)	200	160	20	4-19	210	200	160	20	8-19	210	230
in. 4 (100mm)	220	180	22	8-19	220	220	180	22	8-19	220	240
in. 5 (125mm)	250	210	22	8-22	220	250	210	22	8-22	220	240
in. 6 (150mm)	285	240	24	8-22	270	285	240	24	8-22	270	280
in. 8 (200mm)	340	295	24	8-22	280	340	295	24	8-22	280	325
in. 10 (250mm)	395	350	26	12-25	280	395	350	26	12-25	280	335
in. 12 (300mm)	445	400	26	12-25	320	445	400	26	12-25	320	355