

Wafer type Double Disc Check Valves



ΚΛΑΠΕ ΣΠΑΣΤΟΥ ΔΙΣΚΟΥ PN16

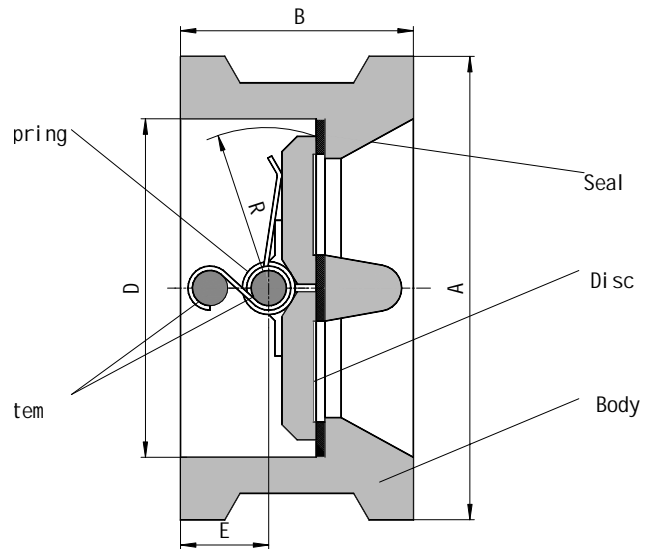
Wafer Butterfly Check valve

Valve Design: API 594

Flange Connections: ANSI Class 125/150 or PN10/16

Materials of main parts

Description	Material	Optional Material
Body	CI	DI, Carbon Steel
Seal	Buna or EPDM	Neoprene
Disc	Stainless Steel	AL-BZ, DI
Stem	Stainless Steel	No Optional
Spring	Stainless Steel	No Optional
Screw	Carbon Steel	Stainless Steel



Installation Dimension & Weight

Size		A			B			R			D			E			Weight (Kg)	
inch	mm	ANSI		PN10 PN16	ANSI		PN10 PN16	ANSI		PN10 PN16	ANSI		PN10 PN16	ANSI		PN10 PN16	ANSI Class 125	PN10 PN16
		Class 125	Class 150		Class 125	Class 150		Class 125	Class 150		Class 125	Class 150		Class 125	Class 150			
2"	50	105	105	107	54	60	43	28	28	29.7	60	60	65	25	25	19	1.8	1.5
2.5"	65	124	124	127	54	67	46	35	35	39.5	73	73	78	25	25	20	2.7	2.4
3"	80	137	137	142	57	73	64	41	41	43.4	89	89	94	25	25	28	3.2	3.6
4"	100	175	175	162	64	73	64	53	53	56.6	114	114	117	29	29	26	5.4	5.7
5"	125	197	197	192	70	86	70	64	64	67.6	141	141	145	30	30	30	6.8	7.3
6"	150	222	222	218	76	98	76	78	78	80.6	168	168	171	19	19	31	9	9.
8"	200	279	279	273	95	127	89	101	101	103.9	219	219	222	40	40	33	18	17
10"	250	340	340	328	108	146	114	125	125	127	273	273	265	40	40	45	29	26
12"	300	410	410	378	143	181	114	151	151	147	324	324	310	56	56	45	45	42
14"	350	451	451	438	184	184	127	171	171	173	356	356	360	94	94	50	61	55
16"	400	514	514	489	191	191	140	197	197	198	406	406	410	89	89	54	77	75
18"	450	549	549	539	203	203	152	222	222	223	457	457	450	86	86	58	100	102
20"	500	606	606	594	213	219	152	248	248	241	508	508	505	90	90	58	130	107
24"	600	718	718	695	222	222	178	295	295	298	610	610	624	87	87	73	152	165