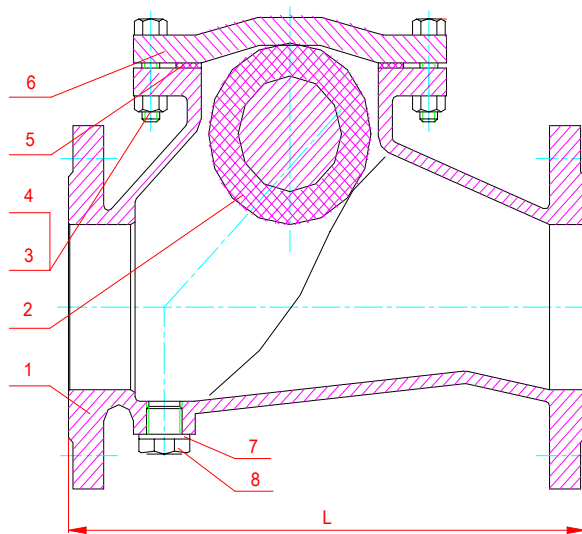




Cast iron ball check valve PN16



Parts

No.	Parts name	Material
1	Body	Cast iron GG25
2	Ball	NBR
3	Bolt	Mild steel
4	Nut	Mild steel
5	Gasket	NBR
6	Bonnet	Cast iron GG25
7	Gasket	Nylon
8	Plug	Mild steel

Test

Normal pressure :	16 Bar
Shell pressure:	24 Bar
Seat pressure:	17.6 Bar
Max. temp.	70 C

Design

1	DESIGN ACCORDING TO DIN 3202-F6
2	Flanmge drilled according to DIN 2501
3	Painting as buyer's requested.

Dimension

in mm

DN	L	Dimention of Flange				Unit weight (Kgs)
		Dia. of flange	Nos. of hole	Dia. of hole	P.C.D.	
40	180	150	4	18	110	16
50	200	165	4	18	125	18
65	240	185	4	18	145	20
80	260	200	8	18	160	24
100	300	220	8	18	180	30
125	350	250	8	18	210	40
150	400	285	8	22	240	52
200	500	340	12	22	295	84
250	600	405	12	26	355	125