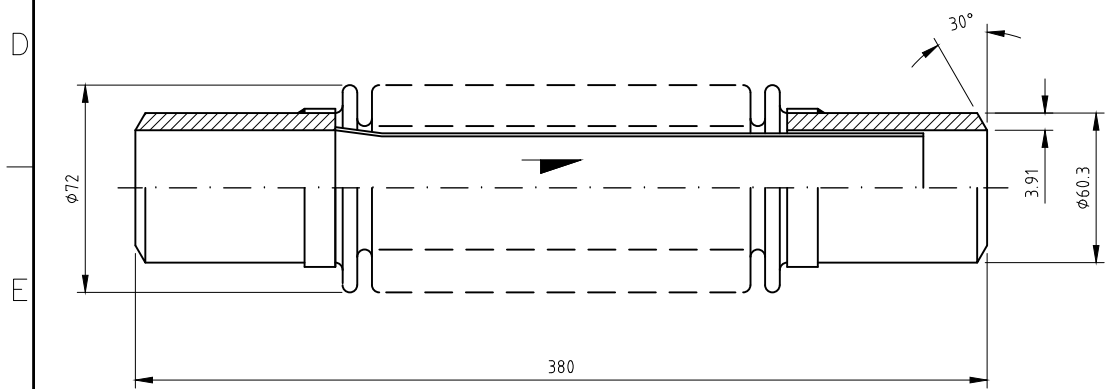
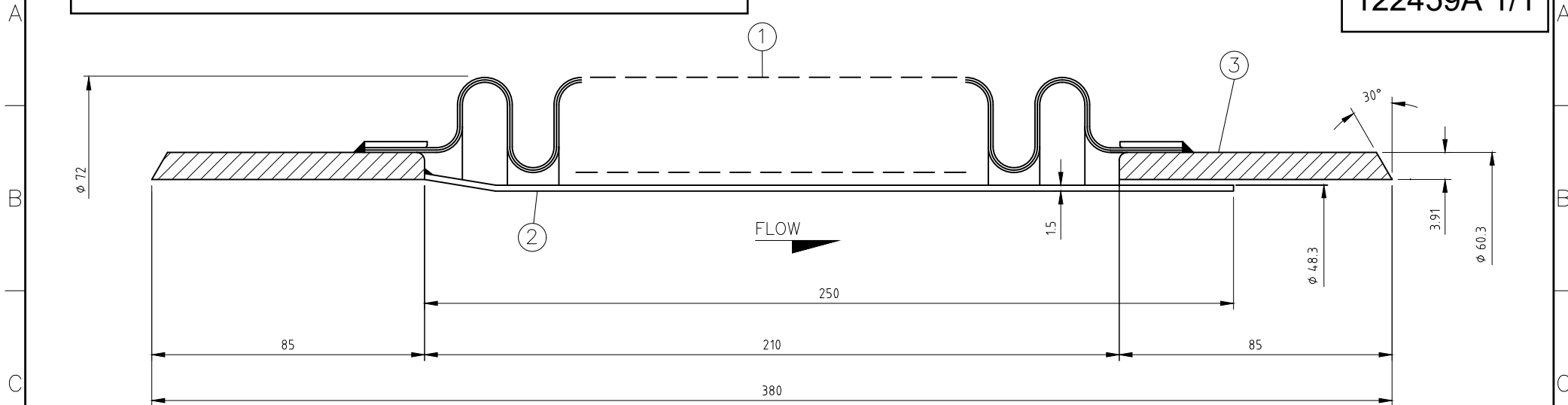


QUALITY REQUIREMENTS AND PAINTING SPECIFICATION ACCORDING TO ANNEX 53304-6 REV 0

REV. REV.	DESCRIPTION DESCRIPCION	CHANGED BY MODIFICADO POR	DATE FECHA
2	REVIEW MATERIAL ACC. TO STANDAR CONFIGURATION (REV. 0) SE REVISAN MATERIALES DE ACUERDO A LA CONFIGURACION ESTANDAR (REV. 0)	DRAWN: R.C.F. CHECKED: S.V.G.	25-08-20

# ΑΞΟΝΙΚΟ ΔΙΑΣΤΟΛΙΚΟ ΜΕΓΑΛΗΣ ΜΕΤΑΤΟΠΙΣΗΣ

122459A 1/1



3	WELDING END	-	2	A 106 Gr.B	2
2	INNER SLEEVE	-	1	AISI 304	2
1	BELLOWS	-	1	AISI 321	2
ITEM POS.	DENOMINATION DENOMINACION	DRAWING No. PLANO No.	QTY. CTD.	MATERIALS MATERIALES	

SPECIFICATIONS ESPECIFICACIONES				MOVEMENTS MOVIMIENTOS	SPRING RATES SPRING RATES
DESIGN PRESSURE PRESION DISEÑO	25 BAR	No. OF CORRUGS. No. DE ONDAS	24	AXIAL	50 mm
TEST PRESSURE PRESION PRUEBA	-	No. PLY x THICK. No. LAMINAS x ESP.	2 x 0.3 mm	LATERAL	N/A
TEMPERATURE TEMPERATURA	-	CROSS SECTION AREA EFECTIVA	-	ANGULAR	N/A
MEDIUM FLUIDO	-	CYCLES OF LIFE CICLOS DE VIDA	-		
WEIGHT PESO	-	BELLOWS DESIGN CODE E.J.M.A. 9th EDITION 2008			

CHRYSsafidis S.A./ ATHENS: 3 AGRINIOU STR, TAVROS - (+30) 210 4836315-20 / THESSALONIKI: DA12A STR, OT32, BIPE SINDOU - (+30) 2310 754681-4 / www.chryssafidis.com / sales@chryssafidis.gr

<b>MACOGA</b> ENGINEERED EXPANSION JOINTS	DRAWN DIBUJADO S.V.G.	SIZE FORMATO A3	SCALE ESCALA N.T.S.		All Rights Reserved acc/ISO 16016 Derechos reservados s/ISO 16016
CHECKED REVISADO J.A.C.	DENOMINATION DENOMINACION MWA DN-50	DATE FECHA 25-08-20	DRAWING No. PLANO No. 35.961	REV. 2	SHEET HOJA 1 OF 1 DE

CUSTOMER/CLIENTE: M.G. CHRYSsafidis S.A.  
WORKS ORDER No.: OF-53304  
ORDEN FABRIC. No.: POS.: 6  
REF.: OT-104703  
QUANTITY: 4  
CANTIDAD: 4