

figure	700
ends form	flange straight



RUBBER EXPANSION JOINT zJOI

body material	nominal pressure	nominal diameter	max temperature
L EPDM	C 16 bar	DN 32-300	100°C
	B 10 bar	DN 350-600	



FEATURES

- galvanized carbon steel flanges
- easy to install
- flanges drilled according to EN-1092-1

APPLICATION

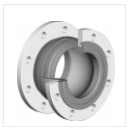
- industrial cold and hot water installations
- heating and ventilation installations
- compressed air installations



CHRYSsafidis

Data given can be changed without notice.

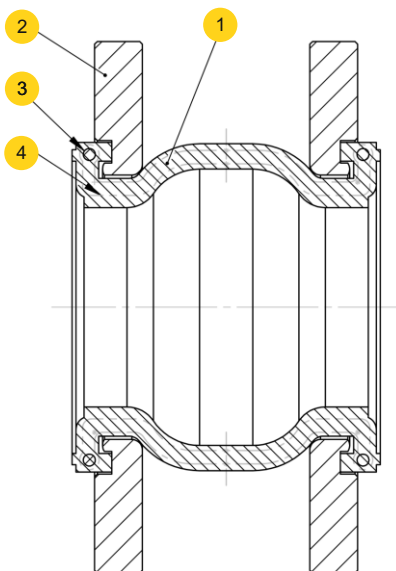
Edition 06/2016

figure **700**

ends form flange straight



MATERIALS

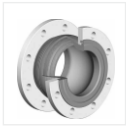


	body material	L
	type	00
1	body	EPDM
2	flanged ends	galvanized carbon steel
3	reinforcing retaining ring	carbon steel
4	reinforcing fabric	nylon
	max temperature	100°C


CHRYSsafidis

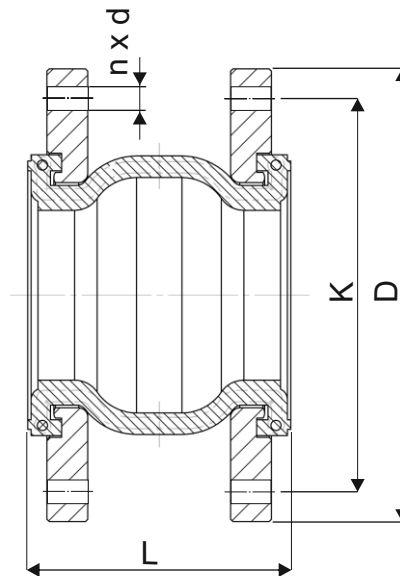
Data given can be changed without notice.

Edition 06/2016

figure **700**

ends form flange straight

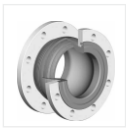
DIMENSIONS



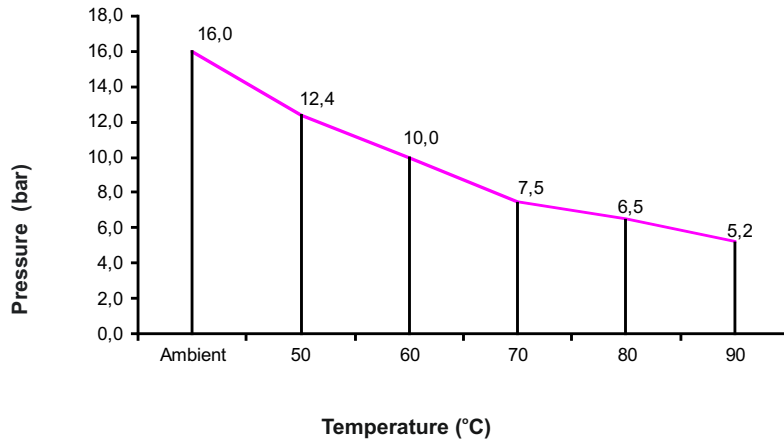
DN	D	L	K	n x d	compression	allongation	lateral deflection	angular deflection	
mm	mm				mm		± mm	± degrees	kg
32	140	93	100	4x18	8	4	8	15	2,80
40	150	93	110	4x18	8	4	8	15	3,80
50	165	99	125	4x18	8	4	8	15	4,20
65	185	108	145	4x18	12	6	10	15	4,80
80	200	116	160	8x18	12	6	10	15	6,20
100	220	129	180	8x18	12	10	12	15	7,20
125	250	142	210	8x18	16	10	12	15	9,30
150	285	156	240	8x22	16	10	12	15	11,70
200	340	177	295	12x22	20	14	18	15	16,80
250	405	206	355	12x26	20	14	18	15	20,60
300	460	217	410	12x26	20	14	18	15	25,80
350	505	266	460	16x22	25	16	18	15	39,20
400	565	266	515	16x26	25	16	18	15	49,80
450	615	200	565	20x26	20	12	18	15	52,00
500	670	200	620	20x26	20	12	18	15	62,80
600	780	250	720	20x30	20	12	18	15	82,50

Data given can be changed without notice.

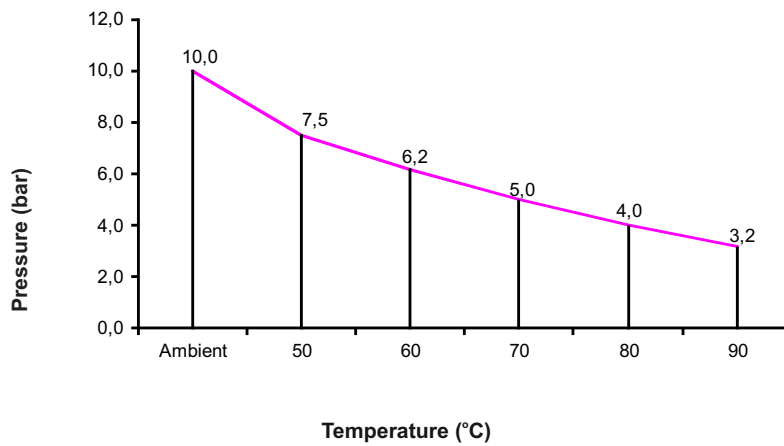
Edition 06/2016

figure **700**ends form flange
straight

PRESSURE-TEMPERATURE RATINGS

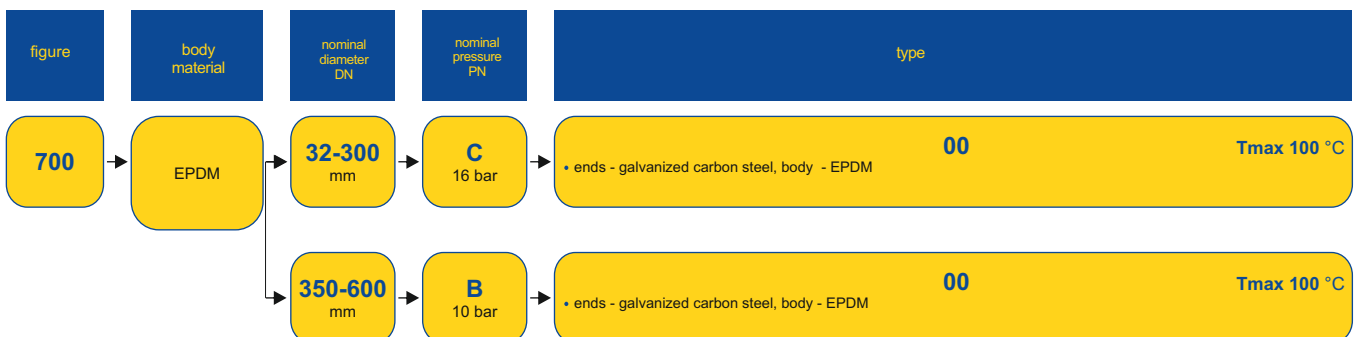


Allowed working conditions range
PN 16 DN32 - DN300



Allowed working conditions range
PN 10 DN350 - DN600

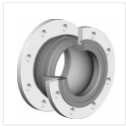
TYPES



CHRYSsafidis

Data given can be changed without notice.

Edition 06/2016

figure **700**

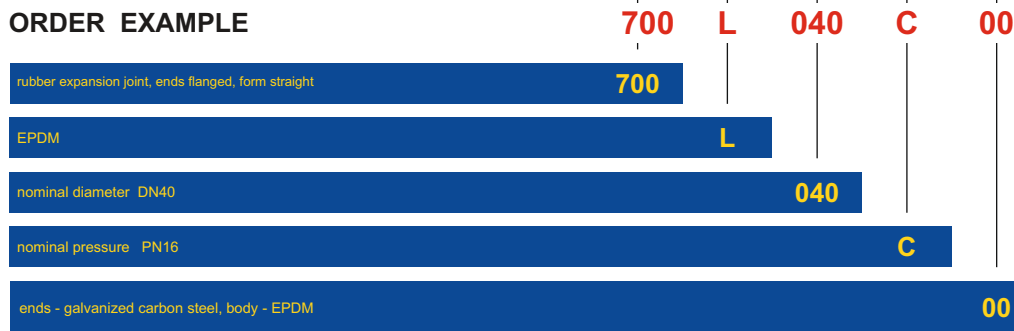
ends form flange straight

ORDERING

To place an order please use our product number (index)



ORDER EXAMPLE



CHRYSsafidis

Data given can be changed without notice.

Edition 06/2016