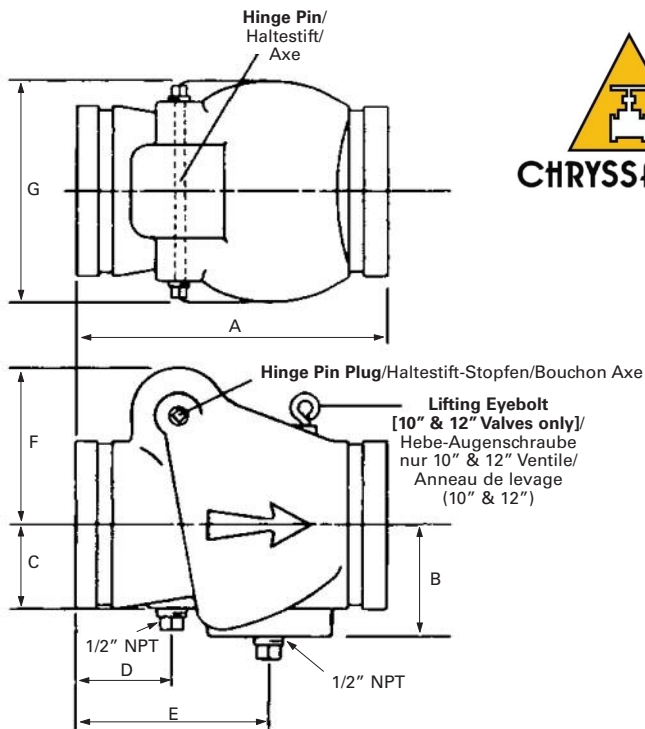


- D** Rückschlagklappen, Riefen-Rückschlagklappe
- F** Clapets, Clapets rainurés

ΚΛΑΠΕ ΜΕ ΑΥΛΑΤΩΤΑ ΑΚΡΑ

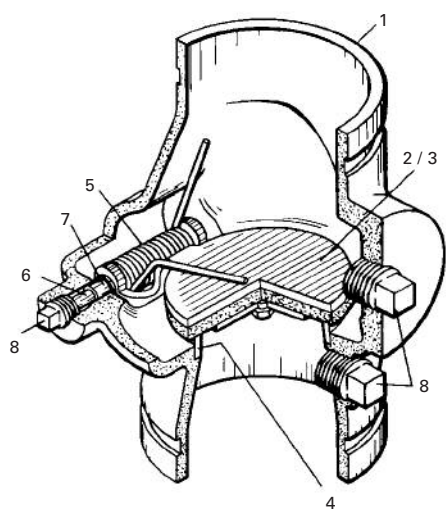


MODEL 7800



Model 7800															
Art. Nr.	DN	OD mm	A mm	B mm	C mm	D mm	E mm	F mm	G mm	kg	VDS	LPCB	UL	FM	T/S/U
595161210	50	2"	60.3	171.5	60.3	36.5	44.5	104.8	81.0	111.1	3.4	✓	✓	✓	✓
595161211	65	2.1/2"	73.0	184.2	61.9	39.7	44.5	96.8	85.7	114.3	4.8	✓	✓	✓	✓
595161200	65	2.1/2"	76.1	184.2	61.9	39.7	44.5	96.8	85.7	114.3	4.8	✓	✓	✓	✓
595161212	80	3"	88.9	196.9	66.7	50.8	46.0	103.2	93.7	125.4	5.2	✓	✓	✓	✓
595161213	100	4"	114.3	206.4	79.4	57.2	63.5	128.6	108.0	152.4	6.1	✓	✓	✓	✓
139GLV7811	125	5"	139.7	247.7	85.7	69.9	61.9	131.8	117.5	171.5	8.6	✓	✓	✓	✓
595161214	125	5"	141.3	247.7	85.7	69.9	61.9	131.8	117.5	171.5	8.6	✓	✓	✓	✓
595161201	150	6"	165.0	323.9	108.0	84.1	79.4	158.8	171.5	215.9	15.2	✓	✓	✓	✓
595161215	150	6"	168.3	323.9	108.0	84.1	79.4	158.8	171.5	215.9	15.2	✓	✓	✓	✓
595161216	200	8"	219.1	371.5	128.6	100.0	101.6	150.8	203.2	260.4	26.8	✓	✓	✓	✓
595161217	250	10"	273.0	457.2	160.3	125.4	115.9	174.6	233.4	322.3	59.0	✓	✓	✓	✓
595161218	300	12"	323.9	533.4	185.7	152.4	128.6	184.2	263.5	374.7	83.0	✓	✓	✓	✓

Parts List/Bauteil-Spezifikation/Caractéristiques Techniques		
Nr.	Description Umschreibung Description	Material Material Matériau
1	Body/Gehäuse/Corps	Ductile Iron/Duktiler Guß/fonte ductile
2	Clapper/ Klappe/ Battant	2 - 5" Stainless Steel / 6-12" Ductile Iron 2 - 5" Edelstahl / 6-12" Duktiler Guß 2-5" Inox / 6-12" Fonte ductile
3	Clapper Facing/Klappendichtung/Joint de clapet	EPDM
4	Seat ring/Sitzring/Anneau de siège	Stainless steel/Edelstahl/acier inoxydable
5	Spring/Feder/Ressort	Stainless steel/Edelstahl/acier inoxydable
6	Hinge Pin/Scharnierstift/Axe de battant	Stainless steel/Edelstahl/acier inoxydable
7	Bushings/Buchsen/Paliers	Sintered Bronze/Gesinterte Bronze/Bronze fritté
8	Plugs and Drain Plugs/Stopfen/Obturbateurs et purges	Cast Iron/Grauguß/Fonte



TYCEGFFP-08/05 Tyco reserves the right to change the contents without notice