



DATASHEET J4C-85

J4C/85



INDEX

J4C - 85

GENERAL CHARACTERISTICS	02
SIZES	03
EXPLODED VIEW	04

Datasheet - J4C 85



GENERAL CHARACTERISTICS

MATERIAL:

Body: Anticorrosive Polyamide, Grey colour / **Optional:** Polypropilene V0, Black colour.
Cover: Anticorrosive Polyamide, Red colour / **Optional:** Polypropilene V0, Natural colour.
Output drive: Zamak, Zinc plated / **Optional:** Zamak, TEFLON coated
Flange: Aluminum and Cataphoresis / **Optional:** Aluminum and TEFLON coated.
Main external shaft: Stainless Steel
External screws: Stainless Steel
Gears: Steel and Polyamide
Visual position indicator: Polyamide
Dome: Polycarbonate
Adjustable internal cams: Polyamide

Electronic Torque Limiter function
Electric motor: 24VDC Brushless motor
Insulation: Class B
(IEC 60034) Service: S4

Modelo	S85	B85
Voltage VDC/VAC 50/60Hz-0/+5%	24-240 VDC/VAC	12 VDC/VAC ONLY

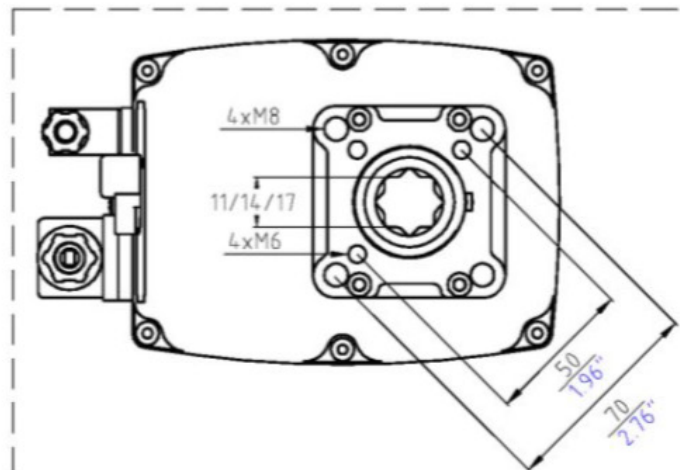
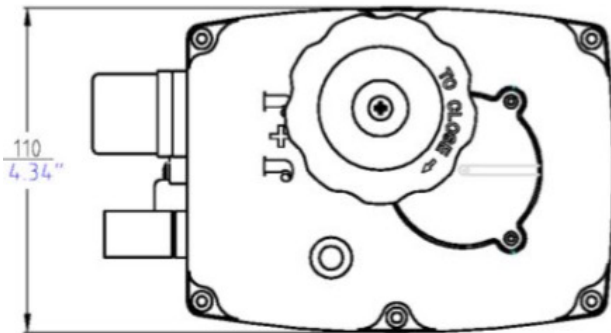
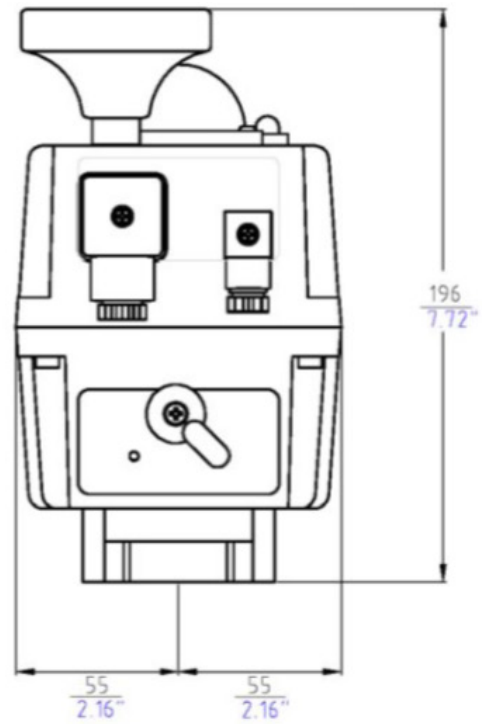
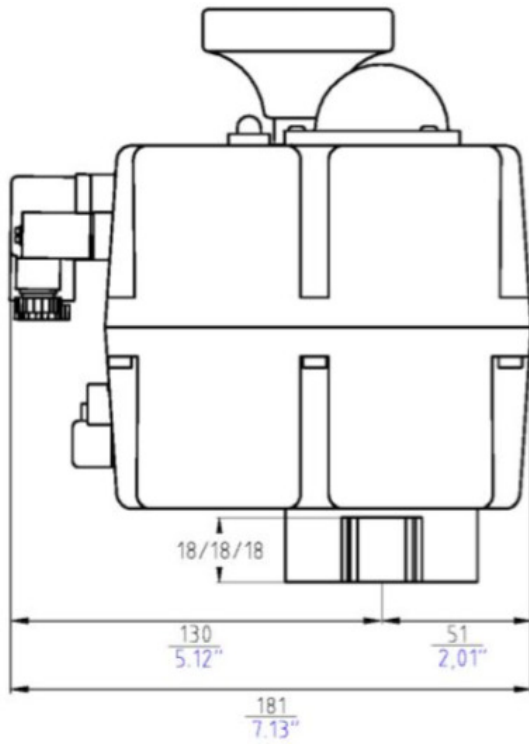
Model	S85/B85
Operation time unload	29 Sec./90°
Maximum torque break	90 Nm / 796,3 lb/in
Maximum operational torque	85 Nm / 752 lb/in
Duty rating	75 %
Max. Working angle	0° to 270°
Limit switch	4 SPST NO micro (2 motor stop and 2 confirmations)
Automatic heater	3,5 W
Big Plug	EN175301-803 FORM A
Small Plug	DIN43650/C
Protection IEC 60529 rating	IP67
Temperature	-20°C +70°C / -4°F +158°F
ISO 5211 Plate	Standard: F05/F07
DIN 3337 Female output drive	Standard: *17 Optional: *14mm
Weight	3 Kg

Options

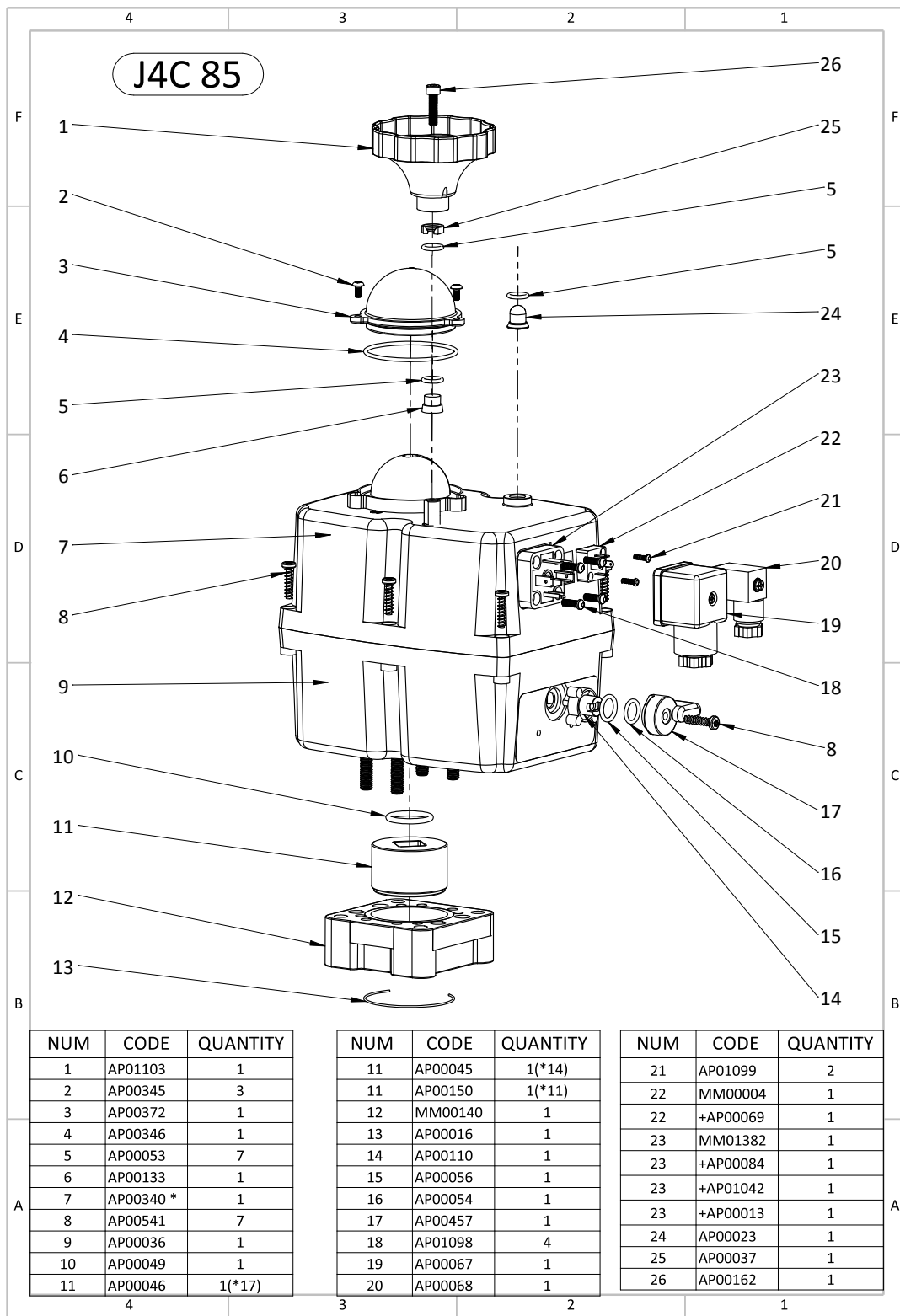
J4C 20/85 KIT DPS digital positioner:	4-20mA, 0-20mA, 0-10V or 1-10V
J4C 20/85 KIT BSR emergency fail safe kit system by battery	NC- NO
Potentiometer	1K, 5K or 10K
3 position actuator	0°-45°-90° or 0°-90°-180°

Note: Technical data are the same despite the different casings.

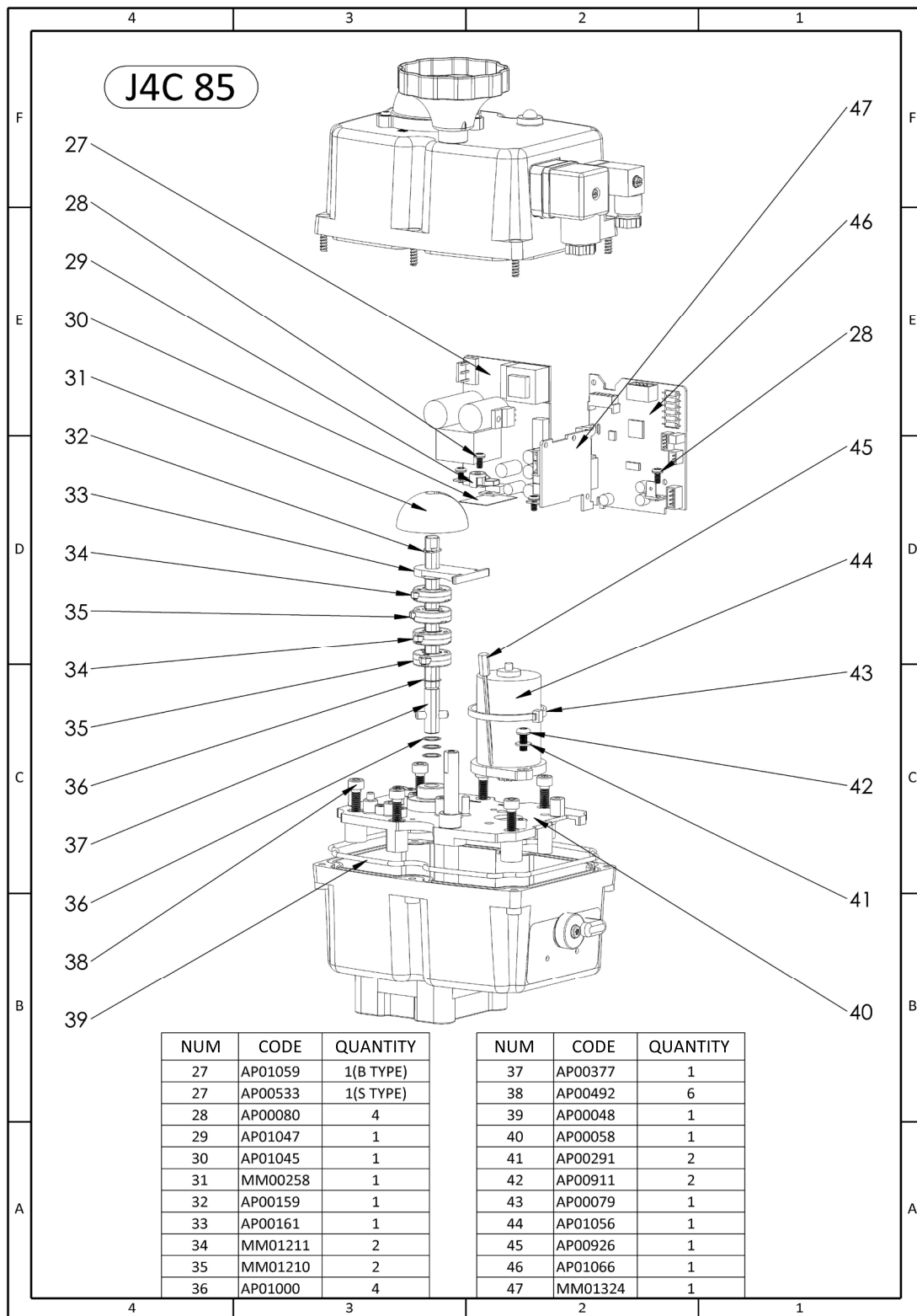
J4C 85 SIZES



Exploded View



Exploded View



Exploded View

