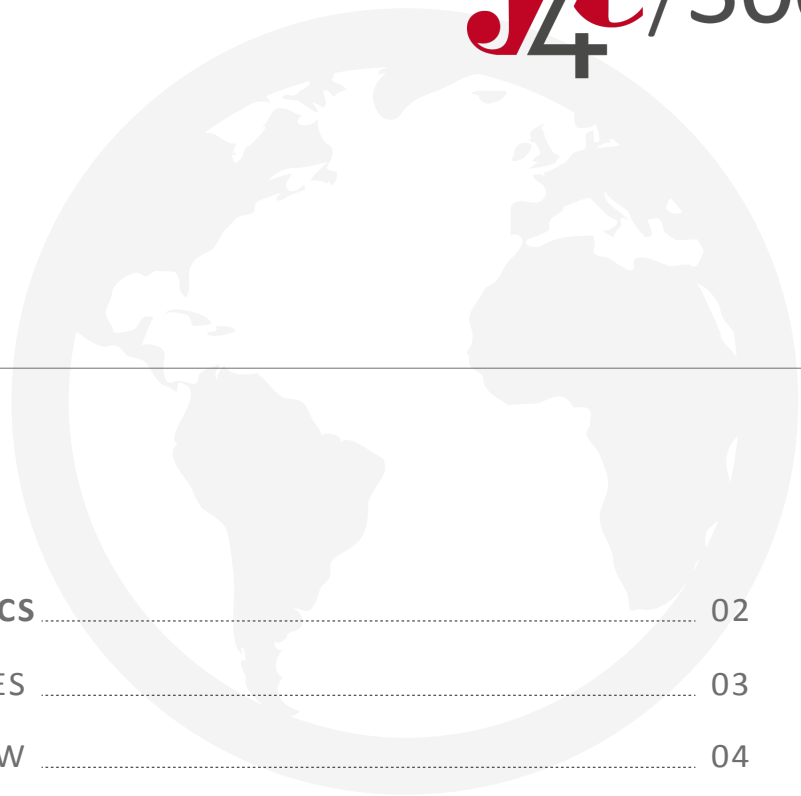




# DATASHEET J4C-300

# J4C/300



## INDEX

---

### J4C - 300

GENERAL CHARACTERISTICS .....	02
SIZES .....	03
EXPLODED VIEW .....	04

# Datasheet - J4C 300



## GENERAL CHARACTERISTICS

### MATERIAL:

- Body:** Anticorrosive Polyamide, Grey colour / **Optional:** Polypropilene V0, Black colour.
- Cover:** Anticorrosive Polyamide, Red colour / **Optional:** Polypropilene V0, Natural colour.
- Output drive:** Zamak, Zinc plated / **Optional:** Zamak, TEFLON coated
- Flange:** Aluminum and Cataphoresis / **Optional:** Aluminum and TEFLON coated.
- Main external shaft:** Stainless Steel
- External screws:** Stainless Steel
- Gears:** Steel and Polyamide
- Visual position indicator:** Polyamide
- Dome:** Polycarbonate
- Adjustable internal cams:** Polyamide

- Electronic Torque Limiter function**
- Electric motor:** 24VDC Brushless motor
- Insulation:** Class B
- (IEC 60034) Service:** S4

Modelo	S300	B300
Voltage VDC/VAC 50/60Hz-0/+5%	24-240 VDC/VAC	12 VDC/VAC ONLY

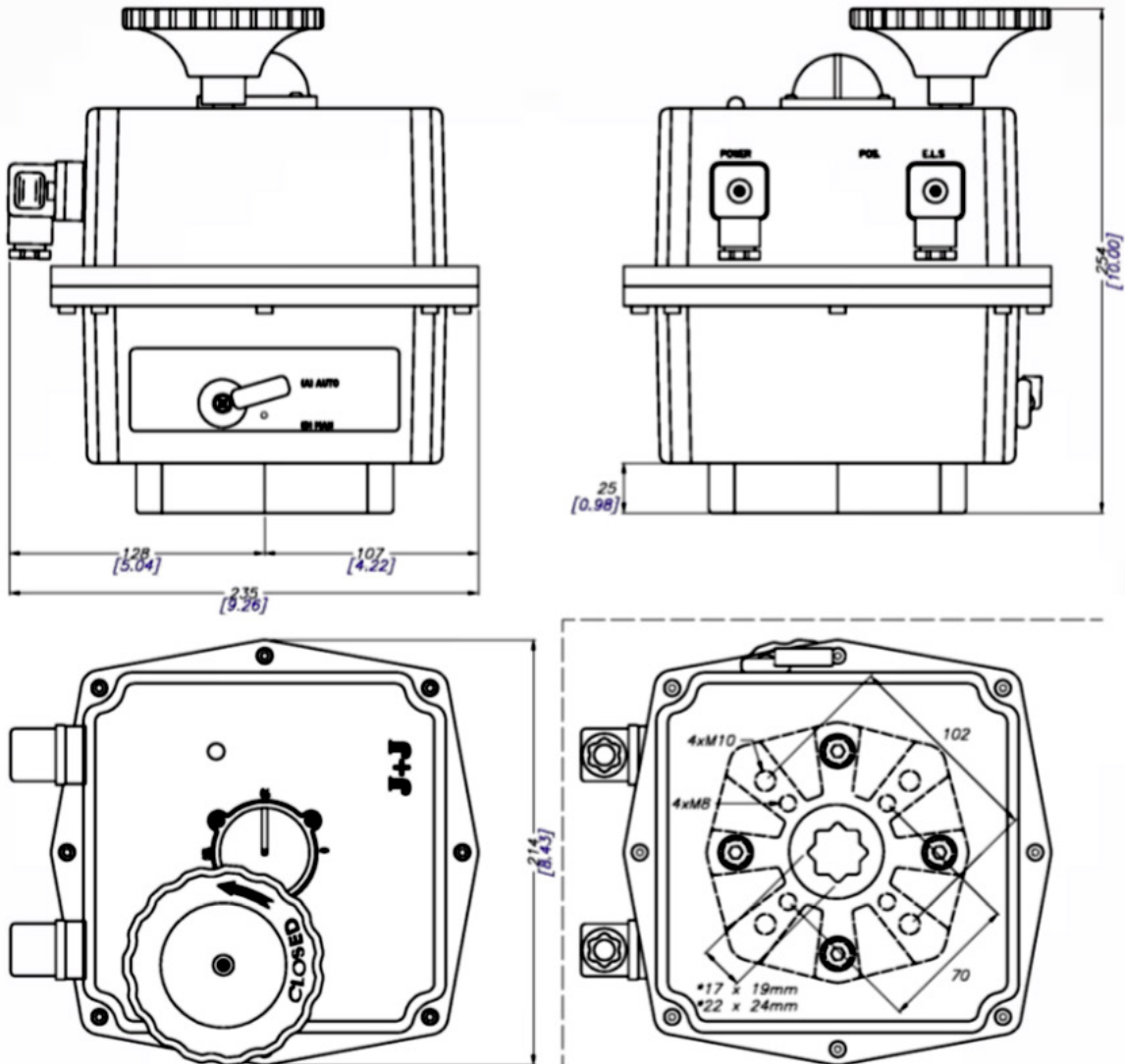
Model	S300/B300
Operation time unload	58 Sec./90°
Maximum torque break	350 Nm / 3097,5 lb/in
Maximum operational torque	300 Nm / 2655 lb/in
Duty rating	75 %
Max. Working angle	0° to 270°
Limit switch	4 SPST NO micro (2 motor stop and 2 confirmations)
Automatic heater	3,5 W
Big Plug	EN175301-803 FORM A
Small Plug	DIN43650/C
Protection IEC 60529 rating	IP67
Temperature	-20°C +70°C / -4°F +158°F
ISO 5211 Plate	Standard: F07/F10 Optional: F12
DIN 3337 Female output drive	Standard: *22 Optional: *17mm
Weight	5,2 Kg

### Options

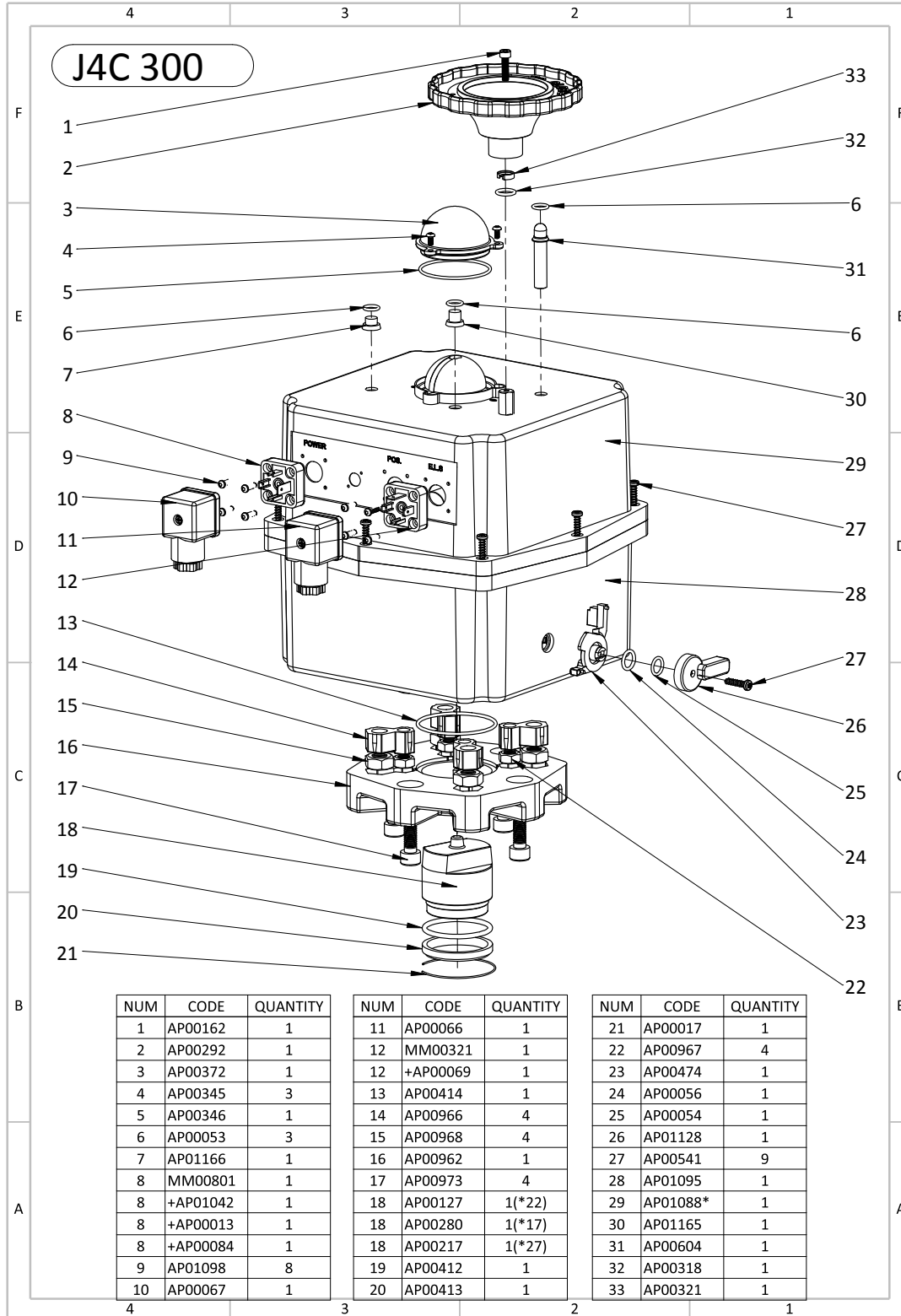
J4C 20/85 KIT DPS digital positioner:	4-20mA, 0-20mA, 0-10V or 1-10V
J4C 20/85 KIT BSR emergency fail safe kit system by battery	NC- NO
Potentiometer	1K, 5K or 10K
3 position actuator	0°-45°-90° or 0°-90°-180°

Note: Technical data are the same despite the different casings.

## J4C 300 SIZES



# Exploded View



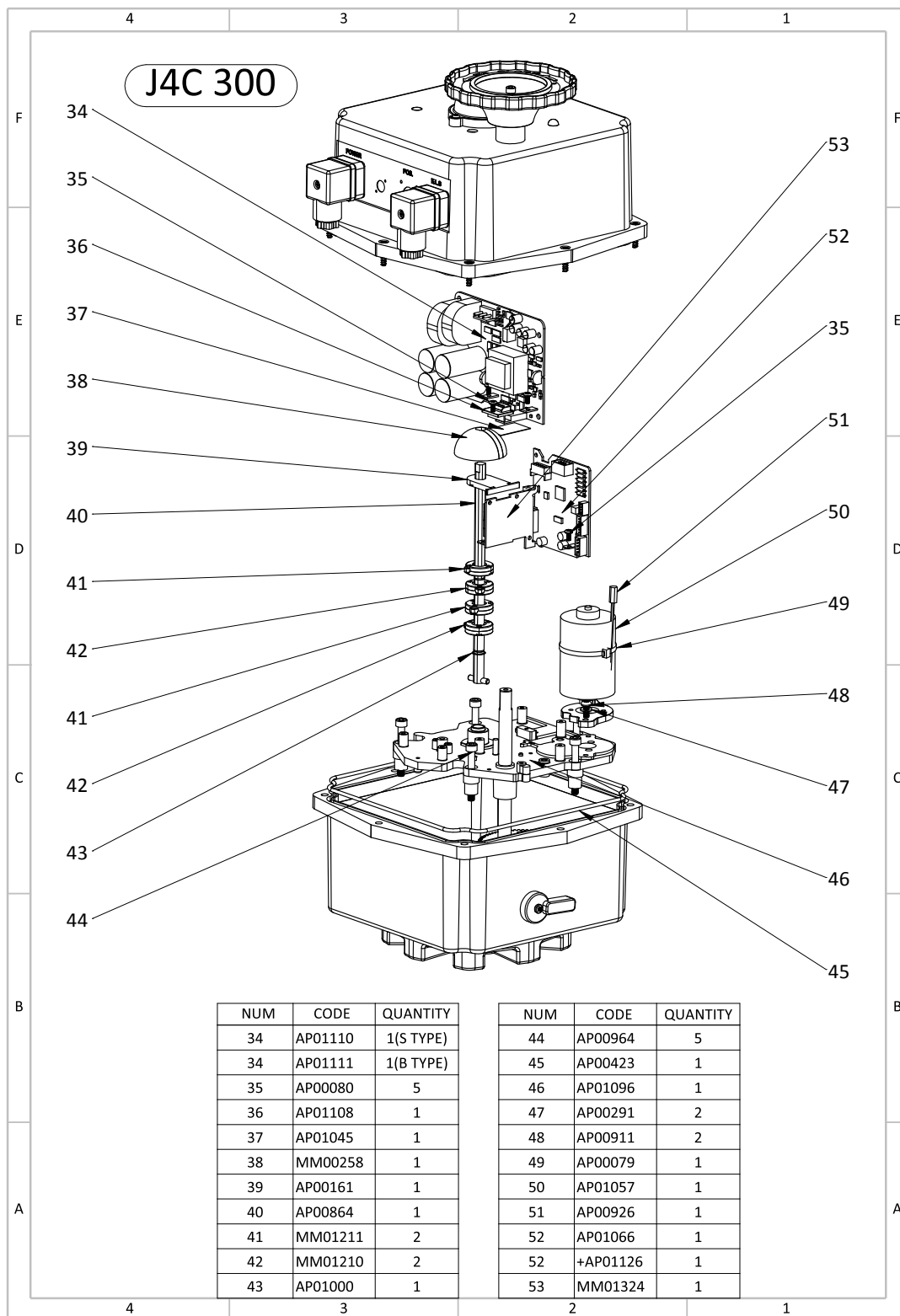
NUM	CODE	QUANTITY
1	AP00162	1
2	AP00292	1
3	AP00372	1
4	AP00345	3
5	AP00346	1
6	AP00053	3
7	AP01166	1
8	MM00801	1
8	+AP01042	1
8	+AP00013	1
8	+AP00084	1
9	AP01098	8
10	AP00067	1

NUM	CODE	QUANTITY
11	AP00066	1
12	MM00321	1
12	+AP00069	1
13	AP00414	1
14	AP00966	4
15	AP00968	4
16	AP00962	1
17	AP00973	4
18	AP00127	1(*22)
18	AP00280	1(*17)
18	AP00217	1(*27)
19	AP00412	1
20	AP00413	1

NUM	CODE	QUANTITY
21	AP00017	1
22	AP00967	4
23	AP00474	1
24	AP00056	1
25	AP00054	1
26	AP01128	1
27	AP00541	9
28	AP01095	1
29	AP01088*	1
30	AP01165	1
31	AP00604	1
32	AP00318	1
33	AP00321	1



# Exploded View



# Exploded View

