



Cert. No. LRQ 0963008

ISO 9001

spirax sarco

IF2, IF2A and IF2D

Spirax-Monnier

International Compressed Air Filters

TI-P500-01
 CH Issue 4


Description

The IF Spirax-Monnier international range of filters provides high quality compressed air (free from liquid and solid contaminants) for general purpose pneumatic systems.

Available types:

IF2	Only available with a metal bowl and having a manual drain.
IF2A	Having a pilot operated automatic drain.
IF2D	Having a semi-automatic dump valve with quick action manual override.

Principal features:

- Internal and external high quality black epoxy finish.
- Large filter element for long life and low pressure drop.
- Shrouded whirl disc for efficient separation.
- 5 micron large surface area element in easy clean nylon mesh.
- For line, bracket or panel mounting.
- Options of sight level on metal bowled units.

Optional extras

For further technical information regarding the following options see page 2:

- Type 21 mounting bracket.
- Discharge tube adaptor - IF2A only.
- Metal bowl.
- Bowl guard.

Sizes and pipe connections

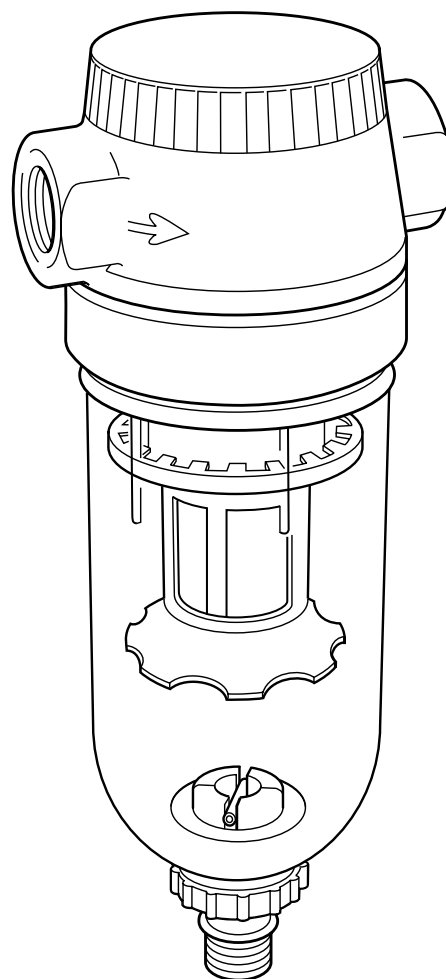
1/2" screwed BSP (BS 21 - Rp) supplied with 1/4" and 3/8" BSP reducing bushes (1 x pair per size).

Operating limit

Maximum working pressure	Polycarbonate bowl	10 bar g
	Metal bowl	17 bar g
Maximum working temperature	Polycarbonate bowl	50°C
	Metal bowl	80°C

Materials

No.	Part	Material
1	Bowl	Polycarbonate or aluminium (epoxy coated)
2	Head	Zinc alloy - Epoxy coated
3	Element 5 µm	Nylon mesh
4	'O' rings	Nitrile rubber
5	Auto-drain	Plastic



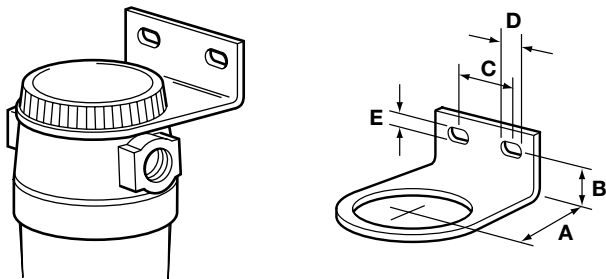
Optional extras

Type 21 mounting bracket

A zinc plated mild steel bracket which is attached to the filter by the screwed fascia cap.

Dimensions (approximate) in mm

A	B	C	D	E
44	19	32	12	6



Discharge tube adaptor IF2A only

An adaptor can be supplied for the auto-drain on the IF2A models, to accept 8 mm O/D copper or plastic tube.

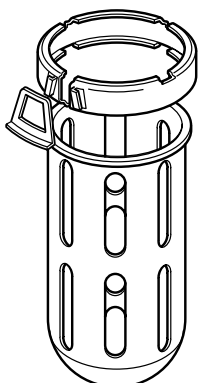


Metal bowl with sight level



Bowl guard

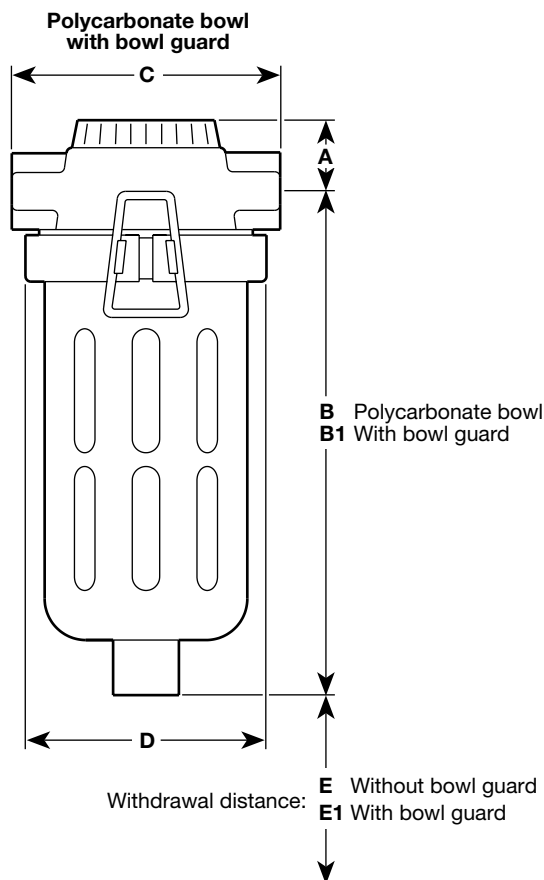
In the interest of safety Spirax Sarco recommend that a bowl guard should be fitted to polycarbonate bowls - see the 'Warning' under 'Safety information, installation and maintenance'.



Dimensions/weights (approximate) in mm and kg

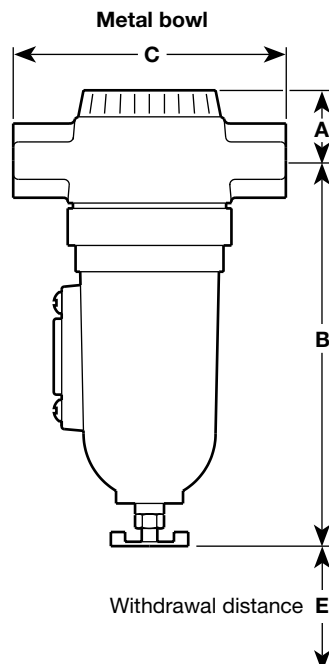
Polycarbonate bowl

Unit	A	B	B1	C	D	E	E1	Weight
IF2	25	143	-	76	62	39	-	-
IF2A	25	152	158	76	62	39	82	0.62
IF2D	25	145	151	76	62	39	79	0.55



Metal bowl

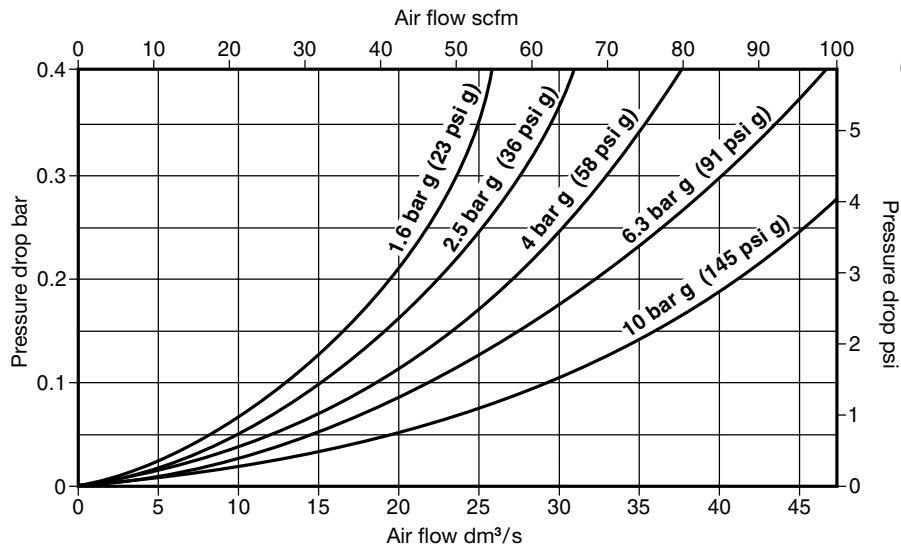
Unit	A	B	C	D	E	Weight
IF2	25	143	76	62	39	0.60
IF2A	25	152	76	62	39	0.67
IF2D	25	145	76	62	39	0.60



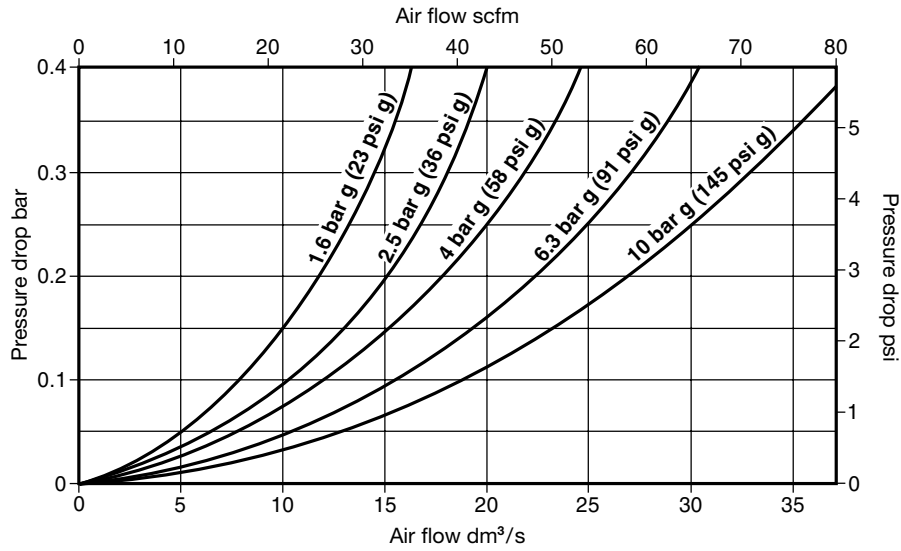
Performance
5 µm element



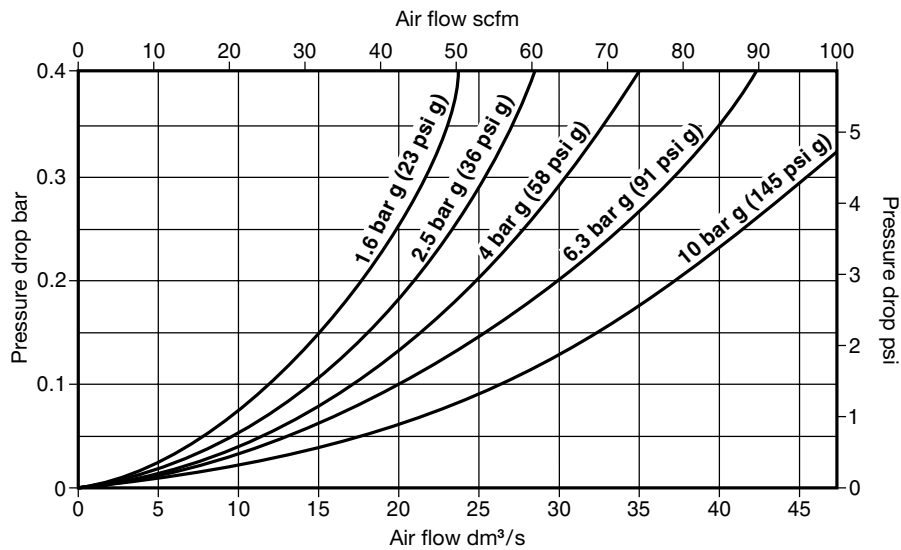
Standard
1/2" connections



With 1/4" reducing bushes fitted



With 3/8" reducing bushes fitted



Safety information, installation and maintenance

For full details see the Installation and Maintenance Instructions (IM-P500-04) supplied with the product.

Warning:

Polycarbonate bowls are attacked by phosphate ester fluids, solvents, paint thinners and carbon tetrachloride. These and similar substances should never be allowed to come into contact with the bowl. Certain synthetic and standard compressor lubricating oils also contain additives harmful to polycarbonate and, where there is any doubt we recommend, in the interests of safety, that a metal bowl or a bowl guard should be fitted.

Lubricant:

The oil used must be compatible with the equipment being served by the lubricator, and with the materials of construction of the lubricator itself. Generally the oil will be of the free logging type in the viscosity range of 7.5 to 64 centistokes (45 to 280 seconds Redwood No. 1) at 38°C.

Installation note:

Fit into a horizontal pipeline with the air flow in the direction of the arrow and the bowl vertically downwards, as close as possible to the equipment it is protecting. A Spirax-Monnier MF2 filter should be fitted upstream to prevent any contaminants reaching the system to be lubricated.

Panel mounting - The panel must not exceed 3 mm thick. The required hole is 48 mm diameter.

How do they work

Contaminated compressed air (1) is directed onto the inside of the bowl (2) by the shrouded whirl disc (3). This preliminary separation allows most of the liquids and solids to pass down into the sump (4) away from any turbulence. The air is then filtered by the nylon mesh element (5) before passing into the system. Ensure that the bowl is regularly drained by either the dump drain valve (6 - IF2D) the manual drain (7 - IF2 having a metal bowl) or the auto-drain (8 - IF2A).

Auto-drain - IF2A

The Spirax-Monnier internal auto-drain is a pilot operated unit. As the water level in the bowl rises, the float (13) lifts, allowing the line pressure to act on the piston, which opens the main discharge valve. As the liquid level falls, the float closes the pilot valve and line pressure shuts the main valve. Under zero pressure conditions, the auto-drain (8) will be in the open position, allowing any liquid to drain away.

Automatic dump valve - IF2D

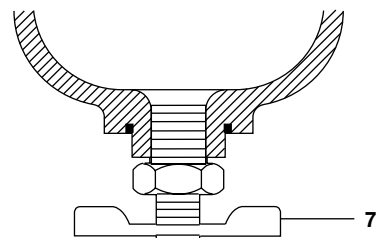
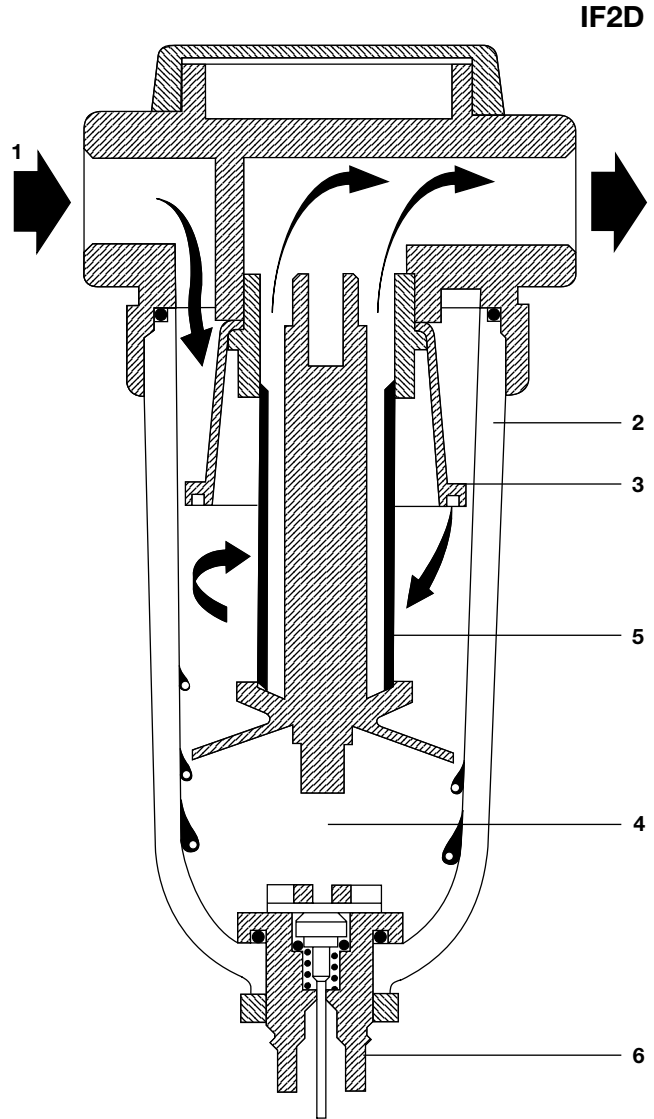
This is a spring loaded valve which will allow the filter to automatically drain when the pressure in the bowl drops below 0.06 bar. (i.e. when air to the plant is shut off).

The unit can also be drained manually by pushing the protruding valve stem sideways, or upwards.

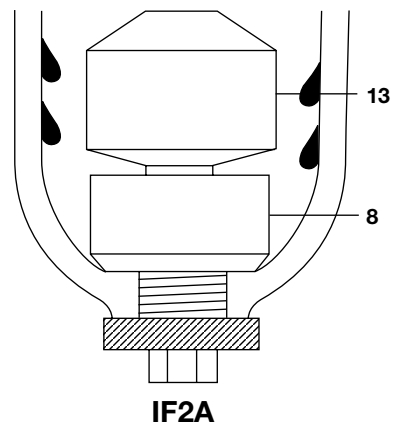
How to order

Example: 1 off Spirax-Monnier 1/2" screwed BSP IF2, IF2A or IF2D international compressed air filter. Accessories must be specified separately.

Note: The product will be supplied with a 5 um element and polycarbonate bowl as standard. If a metal bowl is required (with or without sight level) it must be clearly specified on the order. The IF2 manual drain is available with metal bowl only.



IF2
(having a metal bowl)



IF2A



Spare parts

The spare parts available are detailed below. No other parts are supplied as spares.

Available spares

Bowl assembly including the appropriate drain - state polycarbonate or metal (with or without sight level)	A, B
Element set (packet of 3 of each) 5 µm	B, C
Auto-drain	W, W1

How to order spares

Always order spares by using the description given in the column headed 'Available spares' and state the size and type of unit.

Example: 1 off Polycarbonate bowl assembly for a ½" IF2D Spirax-Monnier international compressed air filter.

Conversion kit 7

To convert a manual drain (IF2) or dump valve (IF2D) into an automatic drain model (IF2A). Conversion kit 7 and an auto-drain are required.

Distance piece	A1
'O' ring seal for distance piece and bowl	B1 (2)

Metal bowl with sight level
for IF2, IF2D and IF2A

