



Cert. No. LRQ 9910872

ISO 9001

spirax
sarco

TI-P670-02
ST Issue 2

Bydrain Frost Protection Liquid Expansion Trap



CHRYSsafidis

Description

The Spirax Sarco bydrain frost protection liquid expansion trap is made of stainless steel. It has been specifically designed for protecting water systems from frost damage. This fixed temperature discharge trap continuously monitors the water temperature in the pipes; the trap is firmly closed at 7°C, but as the temperature of the water cools to 2°C the trap opens, discharging any water in the pipe.

Standards

This product fully complies with the requirements of the European Pressure Equipment Directive 97/23/EC.

Certification

This product is available with certification to EN 10204 3.1.B. **Note:** All certification/inspection requirements must be stated at the time of order placement.

Sizes and pipe connections

1/2" and 3/4" screwed BSP or NPT

Limiting conditions

Body design conditions	PN50, Class 300 to ANSI B 16.34
PMA - Maximum allowable pressure	41.4 bar g
TMA - Maximum allowable temperature	450°C
PMO - Maximum operating pressure	10 bar g
TMO - Maximum operating temperature	70°C
Minimum operating pressure for satisfactory operation is 0.1 bar g	
ΔPMX - The backpressure for correct operation must not exceed 90% of the upstream pressure.	

Designed for a maximum cold hydraulic test pressure of 62 bar g

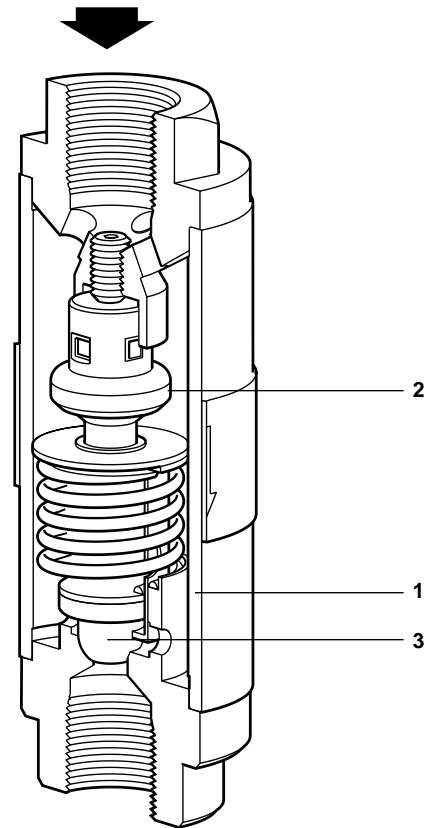
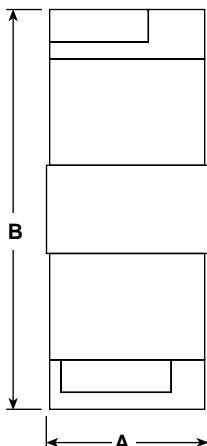
Note: The trap seat is completely open at a water circuit temperature of 2°C and closed at 7°C.

Materials

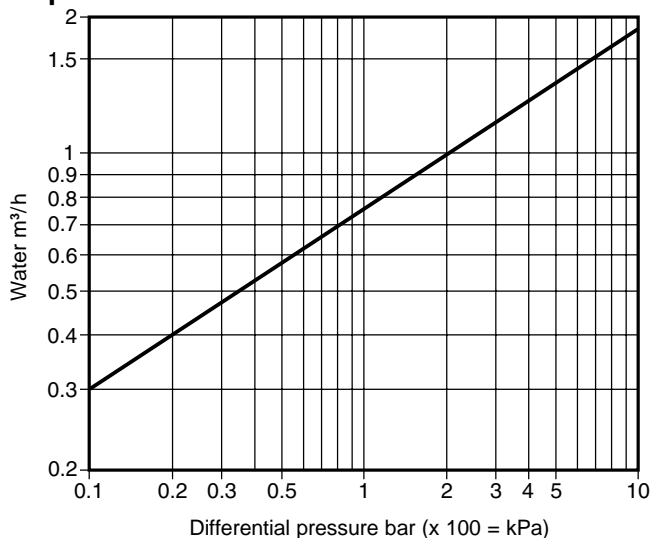
No. Part	Material	
1 Body	Stainless steel	AISI 316L
2 Thermostat	Brass	
3 Valve head	PTFE	
Internal parts	Stainless steel	

Dimensions/weights (approximate) in mm and kg

Size	Connections	A	B	Weight
1/2"	BSP, NPT	42.4	110	0.65
3/4"	BSP, NPT	42.4	115	0.70



Capacities



Safety information, installation and maintenance

For full details see the Installation and Maintenance Instructions (IM-P670-01) supplied with the product.

How to order

Example: 1 off Spirax Sarco 1/2" bydrain frost protection liquid expansion trap with screwed NPT end connections.