

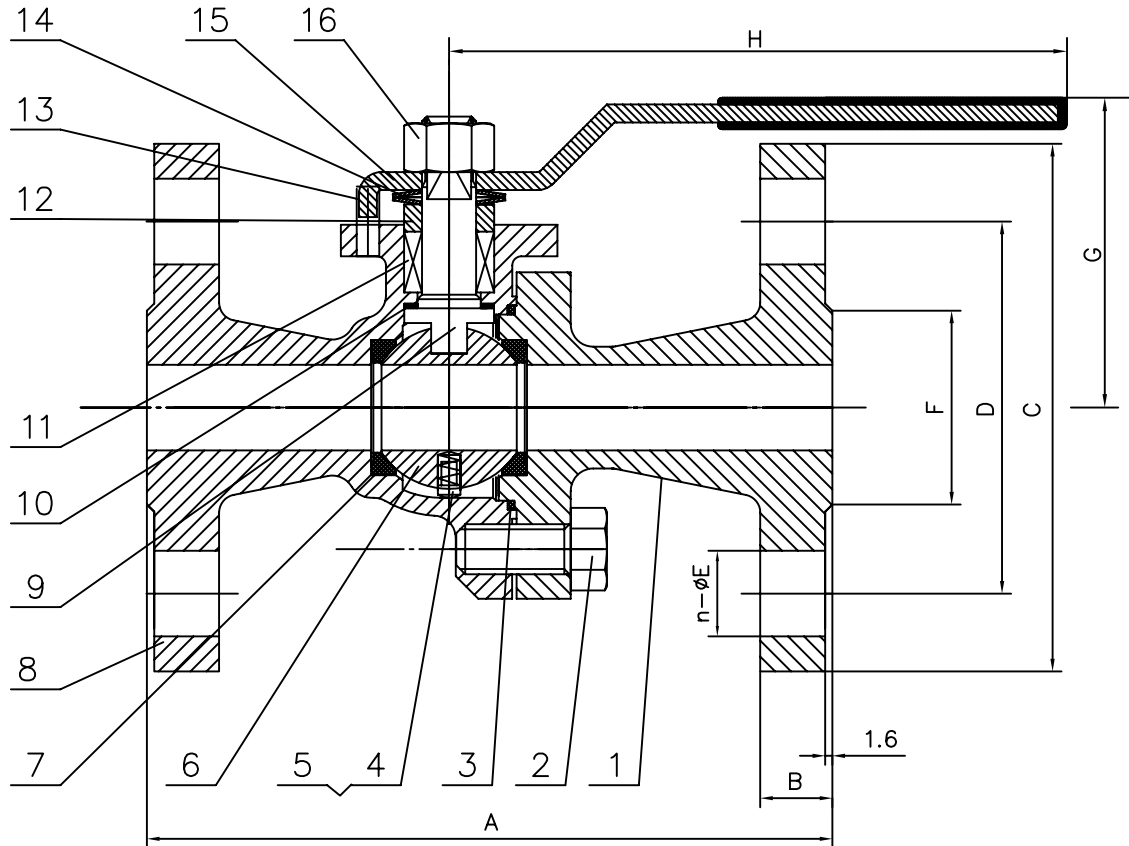
3919xxB 1/1

ONLY FOR REFERENCE

ΣΦΑΙΡΙΚΟΙ ΚΡΟΥΝΟΙ 150#

- VALVE ACCORDING TO API 6D
- END TO END ACCORDING TO ANSI B16.10
- FLANGED ACCORDING TO ANSI B16.5(RF)

TEST PRESSURE TO API 598
 -SHELL: 30 BAR -SEAT: 21.6 BAR



CHRYSSAFIDIS

16	NUT	STEEL	ASTM A194-2H	
15	LEVER	CARBON STEEL		
14	SPRING	SS304		
13	PIN	AISI 1035		
12	GLAND	STAINLESS STEEL	ASTM A182 F6	
11	PACKING	PTFE		
10	GASKET	PTFE		
9	STEM	STAINLESS STEEL	ASTM A182 F6	
8	BODY	CAST STEEL	ASTM A216 WCB	
7	SEAT SEAL	PTFE		
6	BALL	STAINLESS STEEL	ASTM A182 F304	
5	SMALLSPRING	STAINLESS STEEL	SS304	
4	SMALL BALL	STAINLESS STEEL	SS304	
3	GASKET	PTFE		
2	BOLT	STEEL	ASTM A193-B7	
1	BONNET	CAST STEEL	ASTM A216 WCB	
ITEM	NAME	MATERIAL	SPECIFICATION	NOTE

SIZE	A	B	C	D	NO. OF HOLES	E	F	G	H	WEIGHT
1/2"	108	12	89	60.5	4	15	35	90	150	2.5
3/4"	117	12	98.5	70	4	15	43	90	150	3.2
1"	127	12	108	79.5	4	15	51	100	150	5.6
1-1/2"	165	15	127	98.5	4	15	73	140	242	7.2

PROJECT:	----		
REF:	----		
F.V. REF:	----		
ITEM:	01		
DATE	NAME		
TRACED			
CHECKED			
SCALE	DRAWING No :		
---	REV: 0		
REV.	DATE	DRAWN	CHECKED