



AB-cocks

Reliability for decades



The packing sleeve The heart of the AB-cock



PTFE

Suitable for chemicals and aggressive media in the food industry



KAF

Suitable for high temperatures up to 400 °C



KOR-AF

The material used at most for temperatures up to 250 °C



KLINGER®

**Decades of experience
in sealing and valve
manufacturing**

KLINGER

The KLINGER-name has become a synonym for valves and seals in Europe. The enterprise produces valves since more than hundred years. In 1886 the founder of the company, Richard KLINGER, discovered the reflex glass which became the first reliable liquid level gauge. Other world-wide known products followed such as "Klingerit" (the first lt-sealing material) and the piston valve.

KLINGER is an international group which originates from Austria. The parent factory was built in 1892 in Gumpoldskirchen, near Vienna, and is now only one out of many all over the world. Further companies were established in Germany, England, Australia, South Africa, South-, Central and North America and manufacturing licences were assigned in several countries. All these companies together cover the

worldwide demand for Klinger products today.

The KLINGER research centre in Switzerland is responsible for continuously developing our products in order to meet the demands of all branches of industry

Because of new regulations in 1990, asbestos-free sealing material has been developed and is since used in KLINGER valves.



AB-cocks Materials

Materials for AB-cocks

Material code	Body	Cock plug	Tightening nut	Split ring
IV	Hot pressed brass Ms 58p (2.0401)	Hot pressed brass Ms 58p, (2.0401)	2.0401 1.4401 1.4016	Stainless steel 1.4401
VII, VIII	Forged steel C 22,8 (1.0460)	Stainless steel 1.4401		
X, Xc	Stainless steel 1.4571	Stainless steel 1.4401	Stainless steel 1.4401	

Equivalent material codes

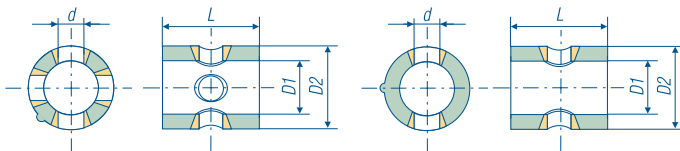
Material code acc. to KLINGER	Material class	DIN-code	ANSI-code	BS-code	ASTM-code
C22,8 VIII	Forged steel	C22,8	M1020	1503–161 Gr.B	A181 Gr. II
Ms58p IV	Hot pressed brass	Ms58p	–	B36-Nr. 8	–
9SMn28K	Machining steel	9SMn28K	1213	2030Mo7	–
St 37.2	Steel	1.0037	–	–	–
1.4571 Xc	Stainless steel	X8CrMoTi 17	316 Ti	320 S 31	–
1.4401	stainless cr.-steel	X5CrNiMo 1810	316	316-S 16	A182-F316

* AISI- BS- and ASTM-codes are the nearest to DIN

Materials and measurements of packing sleeves

Four-hole packing sleeve

Two-hole packing sleeve



Cock size	Nominal width mm Zoll d	Internal ∅ D 1	External ∅ D 2	Length L	Number of holes	Weight ca. kg	Suitable for cock type	Material	
AB 10							ABB 10 on request	PTFE, KFG	
AB 12	6	1/4	12	18	23	2	0,006	ABL 12, ABM 12, ABZ 12, MABI 12, ABI 12, ABIE 12, ABS 12	KAF, KOR-AF, PTFE, KFG
AB 12	3,25	1/8	12	18	23	4	0,007	MABA 12, MABC 12, MABU 12	PTFE, KFG, KOR-AF
AB 18	8	5/16	18	26	32	2	0,019		KAF, KOR-AF PTFE, KFG

Pressure- temperature limits to ISO 7005/3 and EN 1092-3

Type: Klinger AB-cock MAB 12
 Material: 2.0401
 CuZn39Pb3
 Klinger Wkz. IV
 Pressure rate: PN 40

Point	Temperature °C	Pressure (bar)
A	120	40
B	150	38.5
C	180	34
D	200	30
E	220	25.5
F	240	21.5
G	250	19.5

Pressure- temperature limits to ISO 7005/1

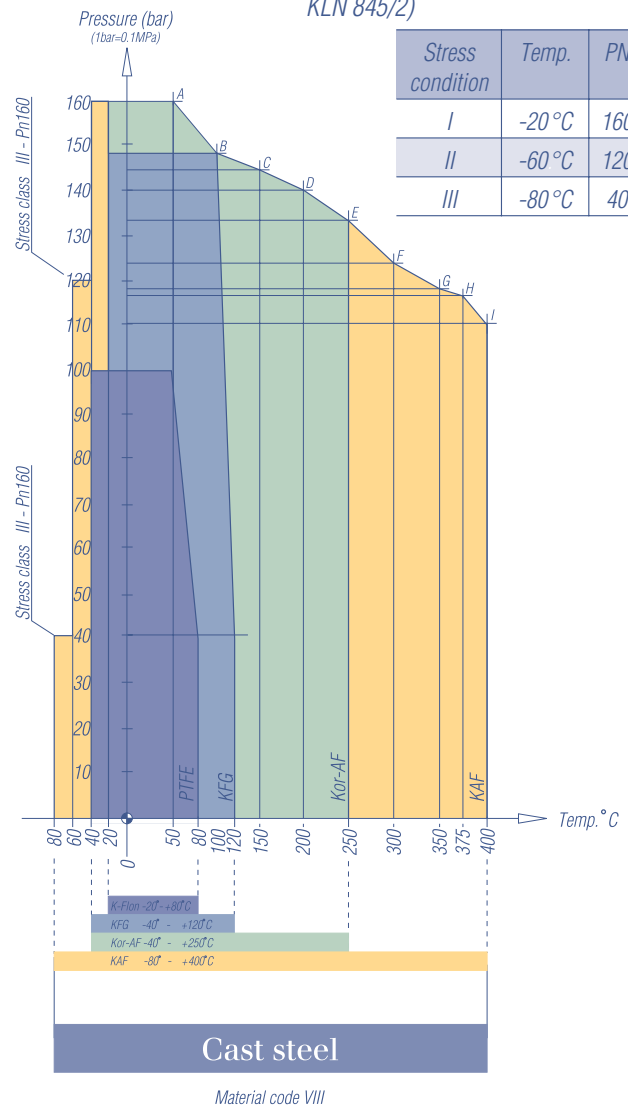
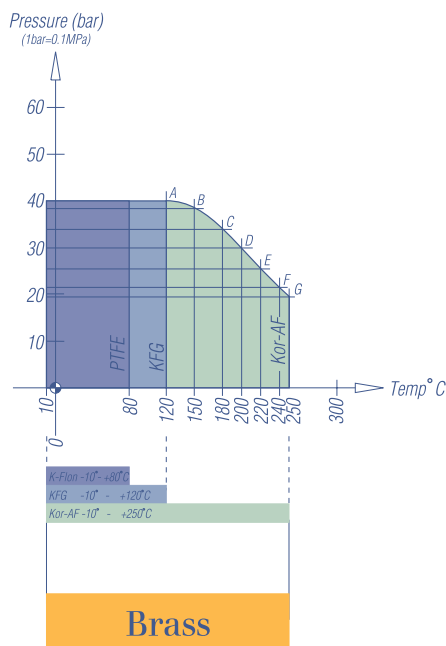
Type: Klinger AB-cock AB12, MAB12, AB18
 Material: 1.0460
 C22.8
 Klinger m. c. VIII
 Pressure rate: PN 160

Point	Temperature °C	Pressure (bar)
A	50	160
B	100	148.3
C	150	144.7
D	200	140.2
E	250	133.5
F	300	123.9
G	350	118.2
H	375	116.6
I	400	110.4

Low temperature limits

(acc. to AD-code of practice W10 or KLN 845/2)

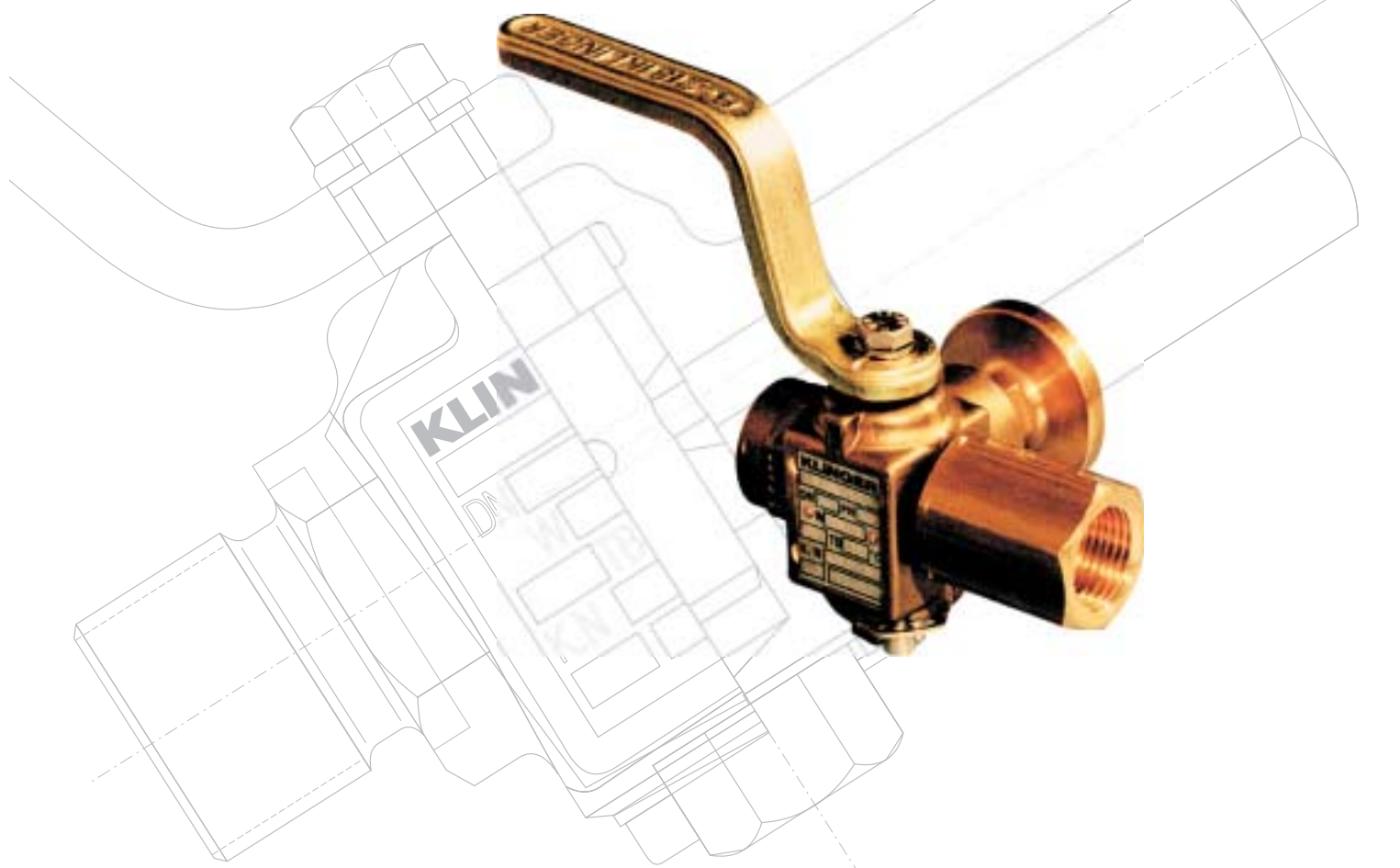
Stress condition	Temp.	PN160
I	-20°C	160 bar
II	-60°C	120 bar
III	-80°C	40 bar





AB-cocks

A large variety



Summary of types

Type	Connection	Material	Pressure	Page
ABM 12	Female	VIII, Xc	PN 160	12
ABZ 12	Male	VIII, Xc	PN 160	13
ABMZ 12	Female/Male	VIII, Xc	PN 160	14
ABI 12/A – ABI 12/D	Male (Maihak)	VII	PN 160	15
ABIE 12/A – ABIE 12/D	Male (Maihak)	VII	PN 160	16
ABIE 12/D	Male (Burmeister)	VII	PN 160	17
MABI 12	Female/Male	VIII, Xc	PN 160	18
MABA 12 – MABC 12	Female/test flange	VIII, Xc	PN 160	19
MABU 12	Female/Male	VIII, Xc	PN 160	20
MABAL 12	Female	VIII	PN 160	21
Safe with every medium (table)				22ff

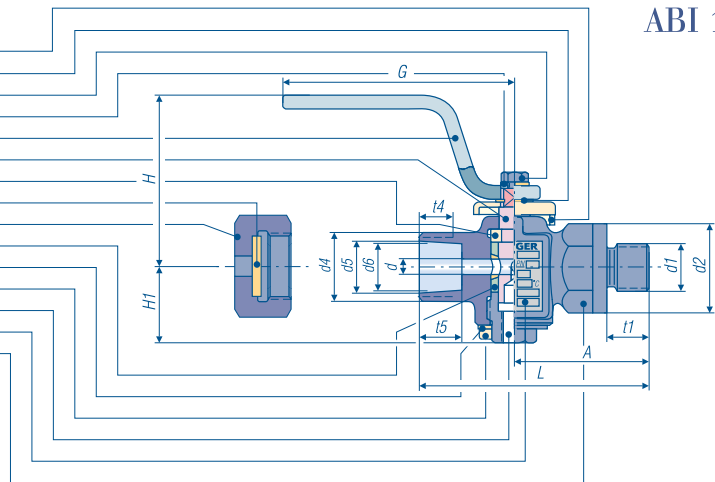


ABI 12/A and ABI 12/D Indicator cocks, male

ABI 12/A: Indicator cock male
ABI 12/D: Indicator cock male and lock nut
male with connection for Maihak-Indicator
Material: VII/steel
PN 160

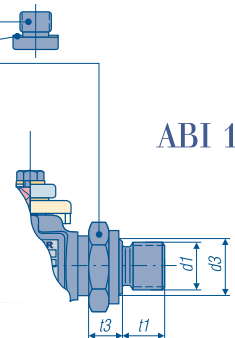
Material	VII
Stop AB 12	1.4401
Seeger circlip	1.4034
Hexagon head screw	A4
Disc	A4
Lever	1.0037 Zn 8-15 cC
Cock plug	1.4401
Split ring	1.4401
Gasket ABI 12	Cu
Cup nut ABI 12	1.0715.07 FeNi5p
Packing sleeve	1)
Locking disc	1.4401
Fillister head screw	A4
Tightening nut	1.4401
Type plate	1.4301
Body	1.0460 Zn 8-15 cC

1) Sealing material: KAF, KOR-AF



ABI 12/A

Material	VII
Screw plug	1.4571
Gasket	Softnickel
Counter nut	1.0715.07 FeNi5p



ABI 12/D

Suggested order specification

Indicator cock as cylinder cock, sealed with elastic packing sleeve which can be retightened. 90°-rotation with stop, to close with clockwise rotation. Body of steel or stainless steel, handle of GTS 35, cock plug of stainless steel. Male with pipe thread to DIN/ISO 228/1 connection for Maihak-Indicator.

Application limits acc. to pt-diagram (see page 8–9)

Attention

Without indicator the cap nut and gasket should seal the cock to the atmosphere; the cock plug should be in open-position in order to avoid deposits on the plug. It prevents the packing sleeve and plug cock from overstress caused by shock pressures. Before removing the cap nut the cock has to be shut. It is of advantage to place an intermediary between cylinder and cock.

Make: KLINGER

Type: ABI 12/A, ABI 12/D – Maihak

Ordering example:
ABI 12/A VII, PN 160

Overall and connection dimensions in mm

Cock type	Bore d	Overall dimension					Threaded stem			Counter nut		Indikator connection						Weight ca. kg
		H	H1	L	A	G	d1	t1	d2	d3	t3	d4	t4	d5	t5	d6		
ABI 12/A	6	72	31,5	92	54	100	3/4"	17,5	32	–	–	W27×1/10"	14	20	17	17,9	0,60	
ABI 12/D	6	72	31,5	92	54	100	3/4"	17,5	–	G5/8"A	14	W27×1/10"	14	20	17	17,9	0,60	

Minimum order: 32 pieces.

As a result of technical progress construction and design are subject to modification



ABIE 12/A and ABIE 12/D Indicator cocks, male

ABIE 12/A: Indicator cock, male
ABIE 12/D: Indicator cock, male with lock nut
male with connection for Maihak indicator
Material: VII/steel PN 160

Material	VII
Hexagon head screw	A4
Disc	A4
Lever	0.8135 Zn 8-15 cC
Seeger circlip	1.4034
Stop AB 12	1.4401
Split ring	1.4401
Cock plug ABI	1.4401
Packing sleeve	1)
Body	1.0460 Zn 8-12 cC
Counter nut	1.0715.07 FeNi5p
Locking disc	1.4401
Fillister head screw	A4
Tightening nut	1.4401
Screw plug	1.4571
Gasket	Softnickel
Gasket	Softnickel
Cup nut ABI 12	1.0715.07 FeNi5p
Sealing cones ABI 12	1.4301
Type plate	Cu
Gasket	1.0715.07 FeNi5p
Plug	1.0715.07 FeNi5p

1) Sealing material: KAF, KOR-AF

Characteristics:

Cylinder cock, elastic packing sleeve, 90°-rotation with stop, to close with a counter-clockwise rotation. Removable handle, simple maintenance.

Application limits acc. to pt-diagram (see page 8–9)

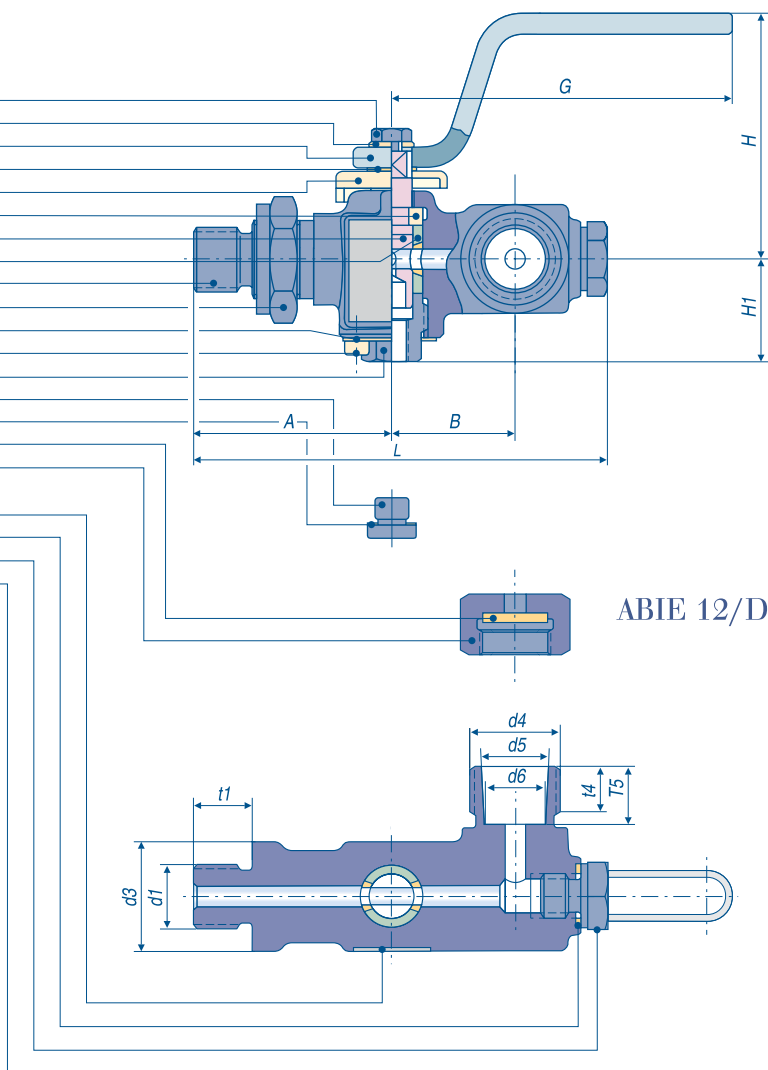
Suggested order specification

Indicator cock as cylinder cock, sealed with elastic packing sleeve which can be retightened. Body of steel or stainless steel, handle of St 37.2, cock plug of stainless steel. Male screwed ends with pipe thread to DIN/ISO 228/1 connection for Maihak.

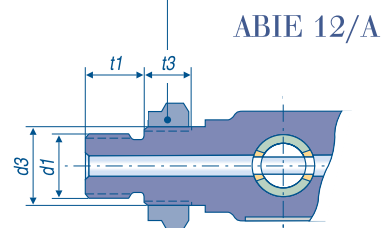
Attention

see type ABI 12/A and 12/D
Make: KLINGER
Type: ABIE 12/A, ABIE 12/D – Maihak

Ordering example:
ABIE 12/A VII, PN 160



ABIE 12/D



ABIE 12/A

Overall and connection dimensions in mm

Cock type	Bore d	Overall dimension						Threaded stem			Counter nut d3	t3	Indikator connection					Weight ca. kg
		H	H1	L	A	B	G	d1	t1	d2			d4	t4	d5	t5	d6	
ABIE12/A	6	72	31,5	121,5	58	36	100	3/4"	17,5	32	–	–	W27 × 1/10"	17	20	17	17,9	0,65
ABIE 12/D	6	72	31,5	121,5	58	36	100	3/4"	17,5	–	G ⁵ /8"A	14	W27 × 1/10"	17	20	17	17,9	0,65

ABIE 12/D

Indicator cocks, male with lock nut

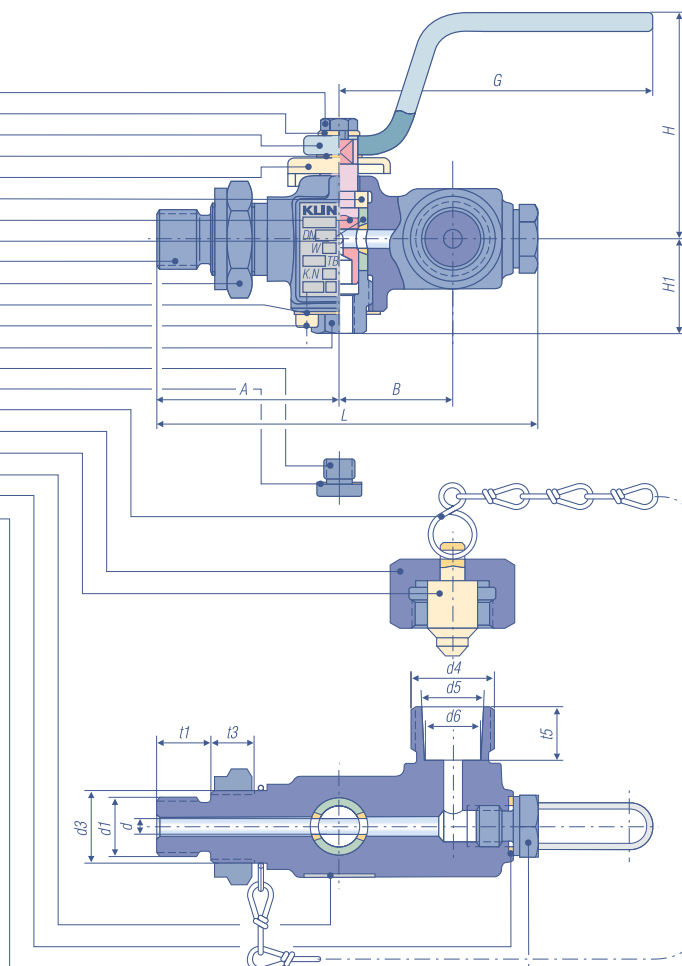


Indicator cock male with lock nut
Design Burmeister
Material: VII/steel PN 160

Material VII

Hexagon head screw	A4
Disc	A4
Lever	1.0037 Zn 8-15 cC
Seeger circlip	1.4034
Stop AB 12	1.4401
Split ring	1.4401
Cock plug ABI	1.4401
Packing sleeve	1)
Body	1.0460 Zn 8-12 cC
Counter nut	1.0715.07 FeNi5p
Locking disc	1.4401
Fillister head screw	A4
Tightening nut	1.4401
Screw plug	1.4571
Gasket	Softnickel
Chain	
Cup nut ABI 12	1.0715.07 FeNi5p
Sealing cones ABI 12	2.0402.20
Type plate	1.4301
Gasket	Cu
Plug	1.0715.07 FeNi5p

1) Sealing material: KAF, KOR-AF



Characteristics

Cylinder cock, elastic packing sleeve, 90°-rotation with stop, to close with a counter-clockwise rotation. Removable handle, simple maintenance.

Application limits acc. to pt-diameter (see page 8–9)

Suggested order specification

Indicator cock as cylinder cock, sealed with elastic packing sleeve which can be retightened. Body of steel

or stainless steel, handle of GTS 35, cock plug of stainless steel. Male with pipe thread to DIN/ISO 228/1 connection for Burmeister.

Attention

Without indicator the cap nut and gasket should seal the cock to the atmosphere; the cock plug should be in open-position in order to avoid deposits on the plug and prevent packing sleeve and plug cock from overstress

caused by shock pressures. Before removing the cap nut the cock has to be closed. It is of advantage to place an intermediary between cylinder and cock.

Make: KLINGER

Type: ABIE 12/D – Burmeister

Ordering example:

ABIE 12/D VII, PN 160

Overall and connection dimensions in mm

Cock type	Bore d	Overall dimension						Threaded stem			Counter nut		Indikator connection					Weight ca. kg
		H	H1	L	A	B	G	d1	t1	d2	d3	t3	d4	t4	d5	t5	d6	
ABIE 12/D	6	72	31,5	121,5	58	36	100	3/4"	17,5	–	G5/8"A	14	W27x 1/10"	17	20	17	17,9	0,65

Minimum order: 32 pieces.

As a result of technical progress construction and design are subject to modification

17



MABA 12 / MABC 12

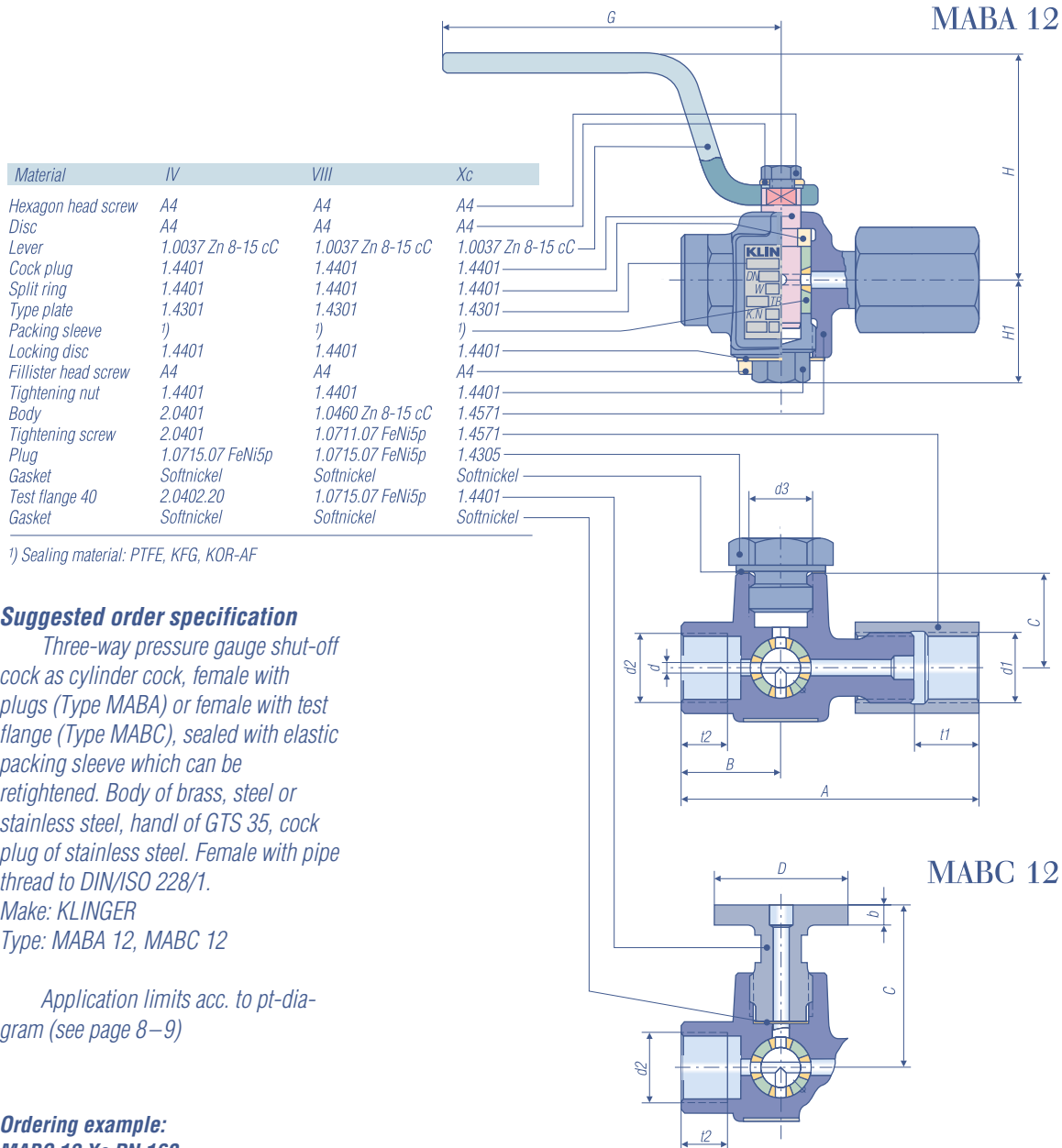
Three-way pressure gauge shut-off cocks

MABA 12: Three-way pressure gauge shut-off cock, female with plugs

MABC 12: Three-way pressure gauge shut-off cock, female with test flange

Connection: pipe thread to DIN/ISO 228/1

Material: IV/brass PN 40, VIII/steel PN 160, Xc/stainless steel PN 160



Overall and connection dimensions in mm

Cock type	Bore d	Overall dimension					Connection dimension				Control connection				Weight ca. kg	
		H	H1	A	B	G	d1	t1	d2	t2	d3	C	D	b		C
MABA 12	5	68	31	88	30	100	G $\frac{1}{2}$ "	19	G $\frac{1}{2}$ "	14	G $\frac{1}{2}$ "	28	–	–	–	0,80
MABC 12	5	68	31	88	30	100	G $\frac{1}{2}$ "	19	G $\frac{1}{2}$ "	14	–	–	40	6	45	0,80

Minimum order: 32 pieces.

As a result of technical progress construction and design are subject to modification