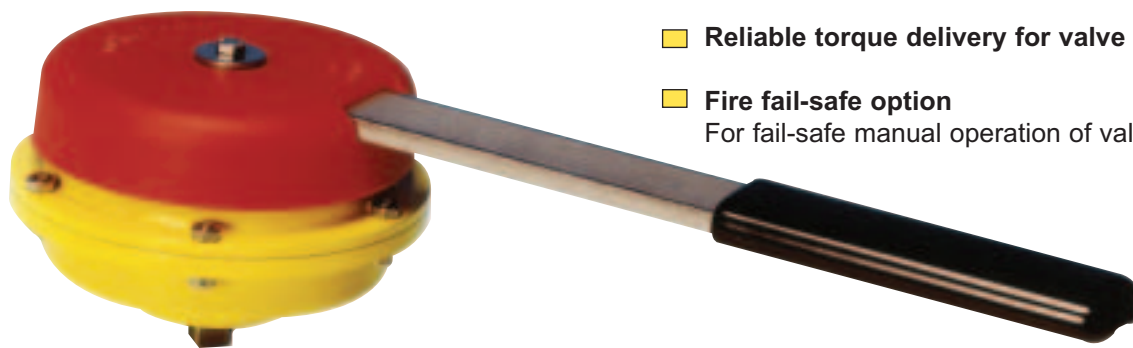


If you want to operate a valve manually, but maintain the advantage of the fail-safe spring's certainty of position when unattended, use this device.

ΧΕΙΡΟΛΑΝΕΣ ΜΕ ΕΛΑΤΗΡΙΟ ΕΠΑΝΑΦΟΡΑΣ



35919xA 1/2

- Manual unit cannot be left in the wrong position
- Reliable torque delivery for valve reseal
- Fire fail-safe option
For fail-safe manual operation of valves etc.

- ISO5211 female drive & ATEX Category 2 approved options available for models 02, 03, 05 and 07
- Clockwise or counter clockwise 90° spring action (02 reversible without the need for spring removal)
- Weatherproof sealed spring housing to protect from internal corrosion
- Bi-square (star) and serrated female drive options available

Application

Manual fail-safe spring units are available in Kinetrol sizes 02, 03, 05 and 07 with factory adjusted torques from 1.4Nm to 45.5Nm.

Models 05, 09 and 12 fire fail-safe units (maximum torque to 260Nm/2300 lbf ins) are available - contact Kinetrol for details.

ISO/Female Drive Versions

The 03, 05 and 07 models are available with female drives for direct mount. The model 03 has F03/05 or F04 mounting flanges, the model 05 has F03/05/07 or F04 flanges and the model 07 has a F05/07 flange.

To order female drive versions, replace the 'O-' in the product code with '1F'. For example a model 05 ISO female drive manual fail-safe cw handle with F03/05/07 flanges is coded: 053F020-1006. The F04 flange version is coded 053F020-1006/F4.

Female drive versions with the same flange dimensions are available with ANSI threads eg 057F020-1006/F4.

Serrated female drive options can also be supplied for models 05 and 07. To order these replace the 'F' in the product code with an 'S'.

Specification

Spring Case	Die cast zinc alloy with epoxy paint finish
Shaft	Stainless steel or carbon steel zinc plated
Lever	Stainless steel (03 & 05) Aluminium (02)

Optional fusible link	Soldered type (or equivalent) 2 options	
Yield temperature °C	72	93
Max normal ambient temperature °C	42	63

Ordering Codes

To order a manual fail-safe spring unit, quote model number, direction of spring (as per technical data on page 4) followed by product code.

When ordering fire fail-safe units, please state maximum torque required (at or below maximum shown in table).

- Type Codes:
- 1006 - spring unit
 - 1201 - single spring fire fail-safe unit (72°C link)
 - 1203 - double spring fire fail-safe unit (72°C link)
 - 1204 - single spring fire fail-safe unit (93°C link)
 - 1206 - double spring unit (93°C link)

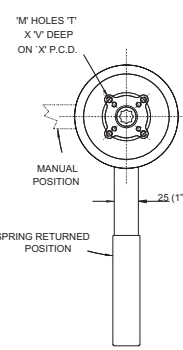
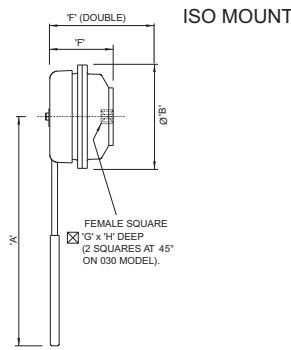
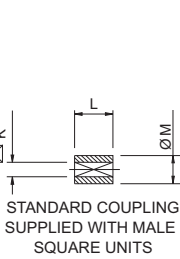
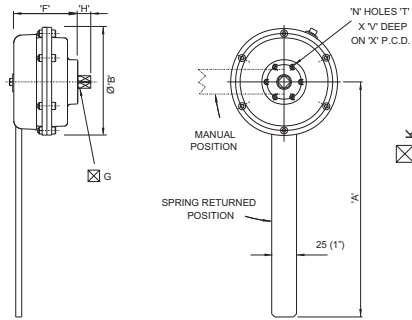
Example: for an 05 model, ISO threads, spring clockwise, 15Nm maximum torque, the code would be:

054-020-1201 -15Nm

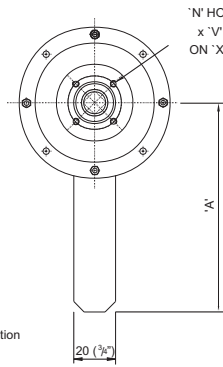
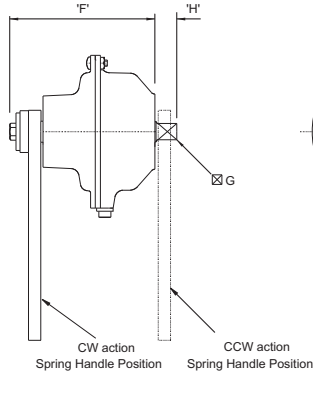
ATEX category 2 versions can be ordered by replacing "0" in code 1006 with "1" (i.e 1016)



03, 05 and 07 MODELS



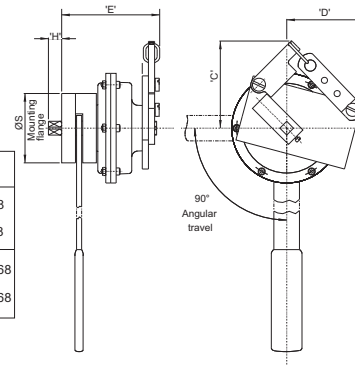
02 MODEL



FIRE FAIL-SAFE DIMENSIONS					
	C	D	E	S	
mm	85.0	75.0	97.0	68	
inch	3.45	2.95	3.82	2.68	

FIRE FAIL-SAFE

Shown in energised position



Dimensions/Torques

Metric Units

No Of Springs	A mm	B mm	F mm	G mm	H mm	K mm	L mm	M mm	N	T	V mm	X mm	Maximum Torque Nm	Torque Reduction Thro' Stroke Nm	
024-020-1006	1	110.0	73.0	70.0	7.98 7.93	10.0	8.022 8.000	22.0	16.0	4	M4	8.0	25.5	5.1	1.0
034-020-1006	1	238.0	108.0	62.0	8.98 8.93	12.0	9.022 9.000	22.0	18.0	4	M5	10.0	31.1	14.0	3.0
054-020-1006	1	238.0	118.0	62.0	9.525 9.470	13.0	9.58 9.55	25.4	19.0	6	M5	8.0	34.9	24.0	3.5
074-020-1006	1	360.0	152.0	103.0	15.98 15.93	-	16.027 16.000	40.0	32.0	4	M8	15	50.8	45.5	5.8
054-020-1201	1	238.0	118.0	79.0	9.525 9.470	13.0	9.58 9.55	25.4	19.0	6	M5	13.0	34.9	24.0	3.5
054-020-1203	2	238.0	118.0	124.0	9.525 9.470	13.0	9.58 9.55	25.4	19.0	6	M5/M6	13.0	34.9	45.5	5.8
033F020-1006	1	238.0	108.0	66.0	11.0	12.0	-	-	-	4	M5/M6	10/12	36/50	14.0	3.0
033F020-1006/F4	1	238.0	108.0	66.0	11.0	12.0	-	-	-	4	M5	10.0	42.0	14.0	3.0
053F020-1006	1	238.0	118.0	62.0	14.0	16.0	-	-	-	4	M5/M6/M8	10/12/13	36/50/70	24.0	3.5
053S020-1006	1	238.0	118.0	62.0	*	*	-	-	-	4	M5/M6/M8	10/12/13	36/50/70	24.0	3.5
053F020-1006/F4	1	238.0	118.0	62.0	14.0	16.0	-	-	-	4	M5	10.0	42.0	24.0	3.5
073F020-1006	1	360.0	152.0	103.0	17.0	22.0	-	-	-	4	M6/M8	14	50/70	45.5	5.8
073S020-1006	1	360.0	152.0	103.0	*	*	-	-	-	4	M6/M8	14	50/70	45.5	5.8

English Units

No Of Springs	A inch	B inch	F inch	G inch	H inch	K inch	L inch	M inch	N	T UNC	V inch	X inch	Maximum Torque lbs.ins	Torque Reduction Thro' Stroke lbs.ins	
027-020-1006	1	4.33	2.87	2.76	0.314 0.312	0.39	0.316 0.315	0.86	0.63	4	8-32	0.310	1.0	45	8.00
037-020-1006	1	9.37	4.25	2.44	0.354 0.352	0.47	0.355 0.354	0.86	0.70	4	10-24	0.390	1.22	124	26.55
057-020-1006	1	9.37	4.64	2.44	0.375 0.373	0.51	0.377 0.376	1.00	0.75	6	10-24	0.310	1.37	212	31.00
077-020-1006	1	14.17	5.98	4.06	0.629 0.627	-	0.631 0.630	1.57	1.26	4	5/16-18	0.625	2.00	400	51.00
057-020-1201	1	9.37	4.64	3.11	0.375 0.373	0.51	0.377 0.376	1.00	0.75	6	10-24	0.510	1.37	212	31.00
057-020-1203	2	9.37	4.64	4.88	0.375 0.373	0.51	0.377 0.376	1.00	0.75	6	10-24	0.510	1.37	425	51.00
037F020-1006	1	9.37	4.25	2.60	0.43	0.47	-	-	-	4	10-24	0.31/0.39	1.42/1.97	124	26.55
037F020-1006/F4	1	9.37	4.25	2.60	0.43	0.47	-	-	-	4	10-24	0.390	1.65	124	26.55
057F020-1006	1	9.37	4.64	2.44	0.55	0.63	-	-	-	4	10-24	0.39/0.47/0.51	1.42/1.97/2.76	212	30.98
057S020-1006	1	9.37	4.64	2.44	*	*	-	-	-	4	10-24	0.39/0.47/0.51	1.42/1.97/2.76	212	30.98
057F020-1006/F4	1	9.37	4.64	2.44	0.55	0.63	-	-	-	4	10-24	0.390	1.65	212	30.98
077F020-1006	1	14.17	5.98	4.06	0.669	0.75	-	-	-	4	1/4-5/16	0.39/0.51	1.97/2.76	400	51.00
077S020-1006	1	14.17	5.98	4.06	*	*	-	-	-	4	1/4-5/16	0.39/0.51	1.97/2.76	400	51.00

* Refer to TD141 for details on serrations and inserts

Weights - Metric

- 02 Models - 0.5 Kg
- 03 Models - 1.87 Kg
- 05 Models - 1.87 Kg
- 07 Models - 5.17 Kg

Weights - English

- 02 Models - 1.102 lb
- 03 Models - 4.123 lb
- 05 Models - 4.123 lb
- 07 Models - 11.374 lb

