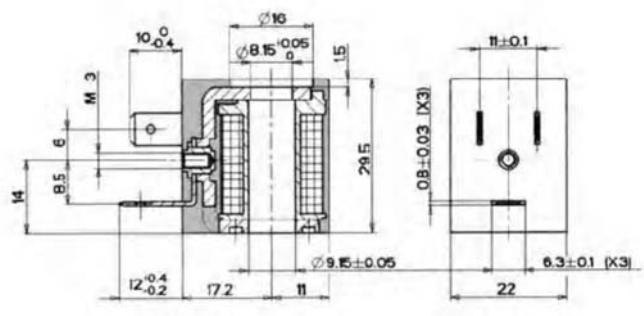


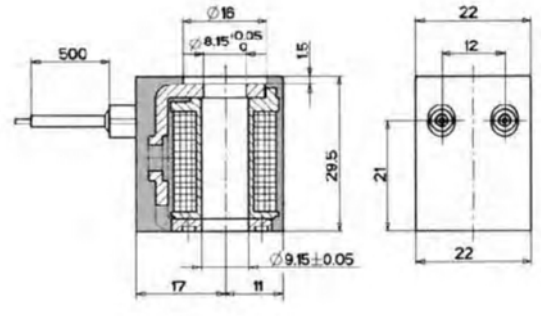
MA 22/MA 22 L



MA 22



22 mm wide coils for solenoid valves 22 mm and 30 mm wide (MH-Type).



MA 22 L

Housing: heat resistant bobbin moulded with 30 % glass filled thermoplastic polyester material.

Available in different voltages, please refer to the table below

MA 22
with interface industry-form, connectors are displayed on page 2.9.4. Equipped with appropriate connector coil offers IP 65.

MA 22 L
(flying leads version) have a standard cable length of 500 mm, others are available on request. The coils are not grounded, please take national safety regulations into consideration!

Type	Voltage	Ampere	Power cons.	Connection	Available
MA 22 12DC	12 V=	250 mA	3 W	Industryform Type B (DIN 436 50)	from stock
MA 22 24DC	24 V=	125 mA	3 W	Industryform Type B (DIN 436 50)	from stock
MA 22 L 24DC	24 V=	125 mA	3 W	Flying leads	from stock
MA 22 48DC	48 V=	62 mA	3 W	Industryform Type B (DIN 436 50)	from stock
MA 22 24AC	24 V~	200 mA	5 VA	Industryform Type B (DIN 436 50)	from stock
MA 22 110AC	110 V~	45 mA	5 VA	Industryform Type B (DIN 436 50)	from stock
MA 22 L5 110AC	110 V~	45 mA	5 VA	Flying leads	on request
MA 22 230AC	230 V~	22 mA	5 VA	Industryform Type B (DIN 436 50)	from stock
MA 22 L5 230AC	230 V~	22 mA	5 VA	Flying leads	from stock

