

# Threaded Internal Valves For Bobtail Delivery Trucks, Transports and Stationary Storage Tanks A3212 Series

## Application

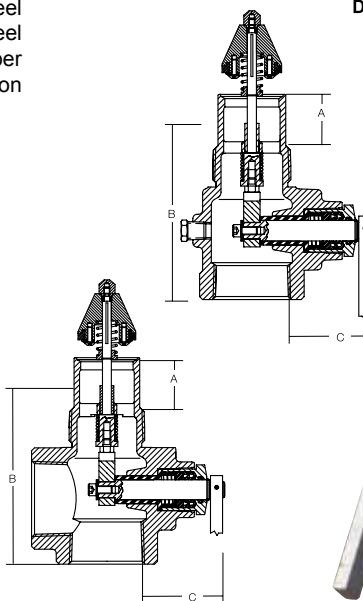
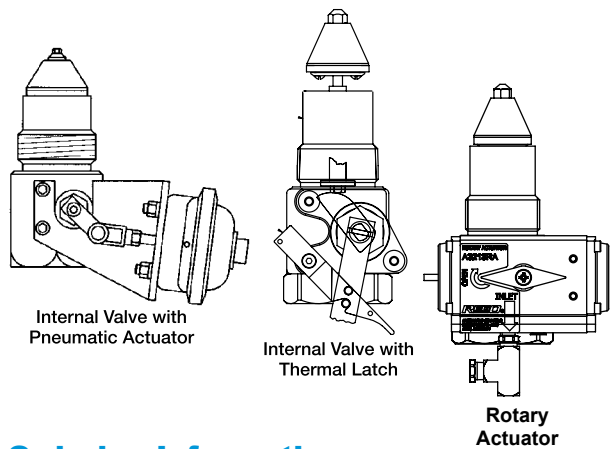
Designed primarily for use with LP-Gas and anhydrous ammonia for liquid withdrawal; vapor transfer or vapor equalization of bobtail delivery trucks, transports, stationary storage tanks, and in-line installations. The valve may be operated manually by cable or pneumatically.

## Features

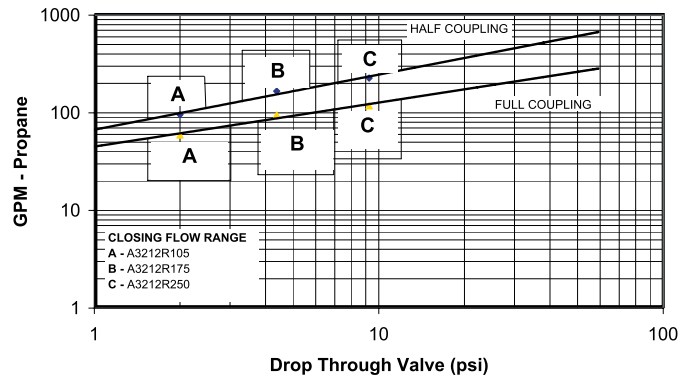
- May be installed in full and half couplings.
- Nylon bearing supported operating shaft provides smooth, easy operation.
- Simple operating lever facilitates easy adaptation of all cable controls.
- Midway stem position allows for quicker pressure equalization.
- All critical operating components are located in the valve body inside the container coupling for maximum protection against physical damage.
- Built in excess flow valve.
- Return spring returns the valve to the closed position when the handle is released.
- Specify RegO® Internal Valves on your next new tank body or when your tank is rebuilt.
- A3213PA pneumatic actuator provides a convenient means of opening and closing the valve from a remote location, using either air or nitrogen for both the A3212R & A3213A service valves.

## Materials

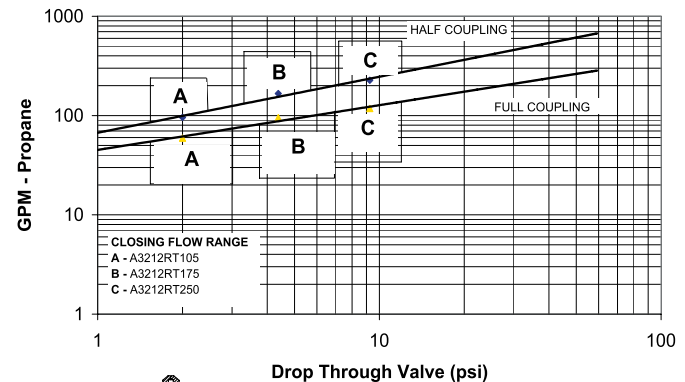
Body ..... Ductile Iron  
 Operating Lever..... Cadmium Plated Steel  
 Stem ..... Stainless Steel  
 Springs ..... Stainless Steel  
 Seat Disc ..... Resilient Synthetic Rubber  
 Shaft Bearing..... Nylon



A3212R Series



A3212RT Series



## Ordering Information

Part Number	Inlet Connection M. NPT	Outlet Connection F. NPT	Closing Flow (GPM) Half Coupling		Closing Flow (GPM) Full Coupling		Accessories		
			LP-Gas	NH3	LP-Gas	NH3	Thermal Latch	Pneumatic Actuator	Rotary Actuator
A3212R105	2"	2"	105	95	65	59	A3213TL	A3213PA	A3212RA
A3212RT105		T-body							
A3212R175		2"	175	158	100	90			
A3212RT175		T-body							
A3212R250		2"	250	225	130	117			
A3212RT250		T-body							