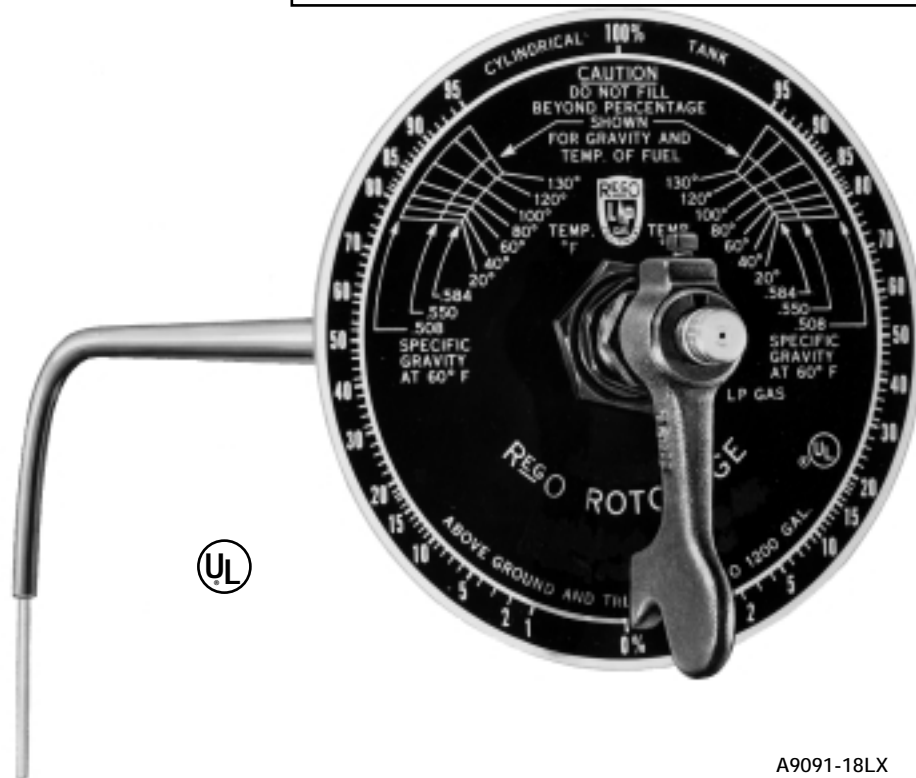


1" Rotogages® for Large Mobile and Stationary Containers

9090 and AA9090 Series

ΜΕΤΡΗΤΕΣ ΣΤΑΘΜΗΣ Rotogages



A9091-18LX



Application

Rotogages® are designed to provide an accurate determination of LP-Gas or anhydrous ammonia container contents. They mount in a standard 1" NPT coupling on large mobile or stationary containers.

To operate the Rotogages®, the vent valve is opened and the dip tube rotated slowly from the container vapor space to the liquid space. The difference in appearance of the discharge indicates when the liquid level is reached. Dial readings then indicate the percentage of product in the container.

Features

- Supported design (TS Models) eliminates whipping and the need for internal support hangers.
- Resistance-free nylon bearing inserts reduce friction and promote operating ease.
- Dial face is dual calibrated to provide greater accuracy in reading contents in containers which are not level.
- Interchangeable accessory dials permit interchangeable service between LP-Gas and anhydrous ammonia.

Rotogage® Dials

Part Number	Service	Container Size
A9091-18L	LP-Gas	All Sizes
A9091-18LX*	LP-Gas	Over 1200 U.S. gallons
A9091-18N	NH ₃	All sizes

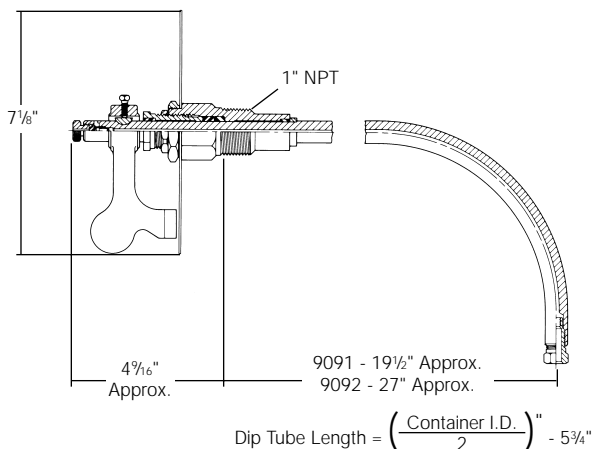
* Dial permits higher filling level, as per NFPA 58, (1983) Par. 4-5.2.1, Table 4-5.2.1

Materials

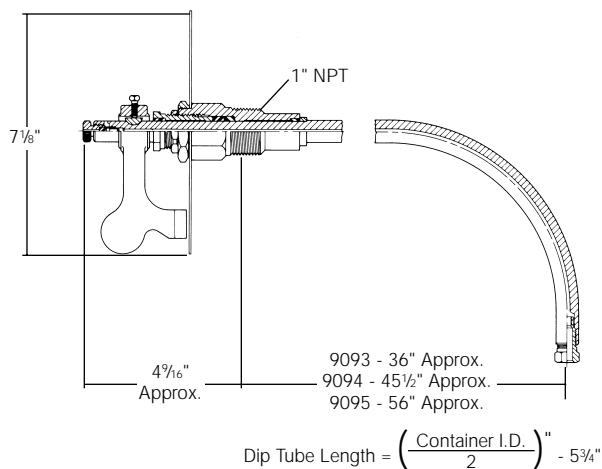
Body	Steel
Stem	Steel
Dip Tube.....	Seamless Steel
Indicator	Malleable Iron
Dial Plate	Aluminum
Vent Stem.....	Stainless Steel



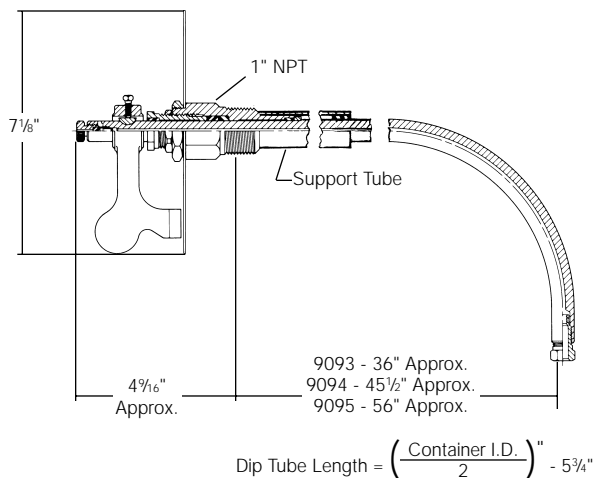
**For Small Mobile or Stationary Containers
9091RM and 9092RM Series**





**For Large Stationary Containers
9093RSM, 9094RSM and 9095RSM Series**



**For Large Mobile or Stationary Containers
9093TSM, 9094TSM and 9095TSM Series**



Rotogage® Ordering Information

Part Number				For Container Inside Diameter			
							
For Use With LP-Gas		For Use With NH ₃		Ellipsoidal Heads		Hemispherical Heads	
For Mobile or Stationary Containers	For Stationary Containers Only	For Mobile or Stationary Containers	For Stationary Containers Only	Side Mounted	End Mounted	Side Mounted	End Mounted
9091RM24	—	AA9091RM24	—	30" - 45"	30" - 75"	30" - 45"	30" - 45"
9092RM36	—	AA9092RM36	—	46" - 61"	76" - 108"	46" - 61"	46" - 61"
9093TSM48*	9093RSM48	AA9093TSM48*	AA9093RSM48	62" - 79"	109" - 147"	62" - 79"	62" - 79"
9094TSM60*	9094RSM60	AA9094TSM60*	AA9094RSM60	80" - 99"	—	80" - 99"	80" - 99"
9095TSM72*	9095RSM72	AA9095TSM72*	AA9095RSM72	100" - 147"	—	100" - 147"	100" - 147"

* Supported Design
NOTE: The dip tube must be cut to the required length (½" of container inside diameter minus 5¾").