

Low Water Cut-Offs – Mechanical For Steam Boilers

Series 69

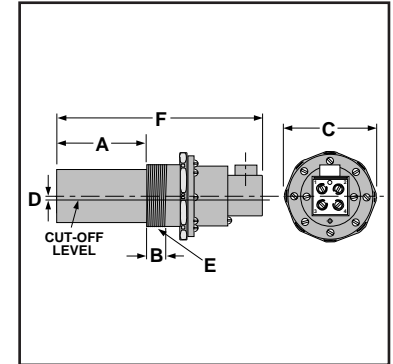


Built-in Low Water Cut-Offs

- For residential and commercial low pressure steam boiler applications
- For boilers of any steaming capacity
- For mounting in 2½" NPT boiler side tapings
- Insertion lengths available in 1¾" - 4¼" (30-105mm)
- Packless bellows
- Adjustable BX outlet for easy installation
- Dual precision switches for dependable operation of the low water cut-off and an alarm or electric water feeder
- Optional low voltage switches for self-generating millivolt circuits
- Maximum steam pressure 20 psi (1.4 kg/cm²)



Series 69



Electrical Ratings

Voltage	Motor Switch Rating (Amperes)		Pilot Duty
	Full Load	Locked Rotor	
120 VAC	7.4	44.4	125 VA at 120 or 240 VAC
240 VAC	3.7	22.2	

Dimensions, in. (mm)

Model	A	B	C	D	E	F
	Insertion Length					
69	4¼ (105)	1 (25)	4¼ (105)	¼ (3)	2½	9½ (241)
169	3¼ (79)					
269	2¼ (57)					
369	1¾ (45)					
469, 569	1¾ (30)					

Ordering Information

Model Number	Part Number	Description	Weight lbs. (kg)
69	153900	Low water cut-off w/4¼" (105mm) insertion length	3.7 (1.7)
69-J	154210	69 w/BSPT threads	3.7 (1.7)
69-MV-P	155000	69 w/millivolt switch	4.0 (1.8)
169	155100	69 w/3¼" (79mm) insertion length	4.0 (1.8)
269	155200	69 w/2¼" (57mm) insertion length	4.0 (1.8)
369	155300	69 w/1¾" (45mm) insertion length	4.0 (1.8)
369-MV	155400	369 w/millivolt switch	4.0 (1.8)
469	155500	69 w/1¾" (30mm) insertion length	4.0 (1.8)
569	155700	469 w/1¾" (30mm) insertion length w/¼" NPT tapping	4.0 (1.8)



CHRYSSAFIDIS